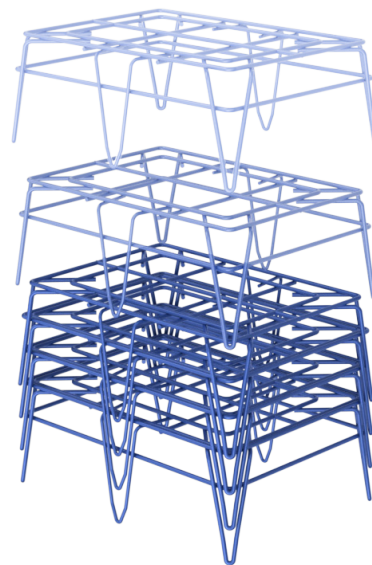
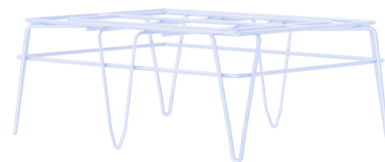
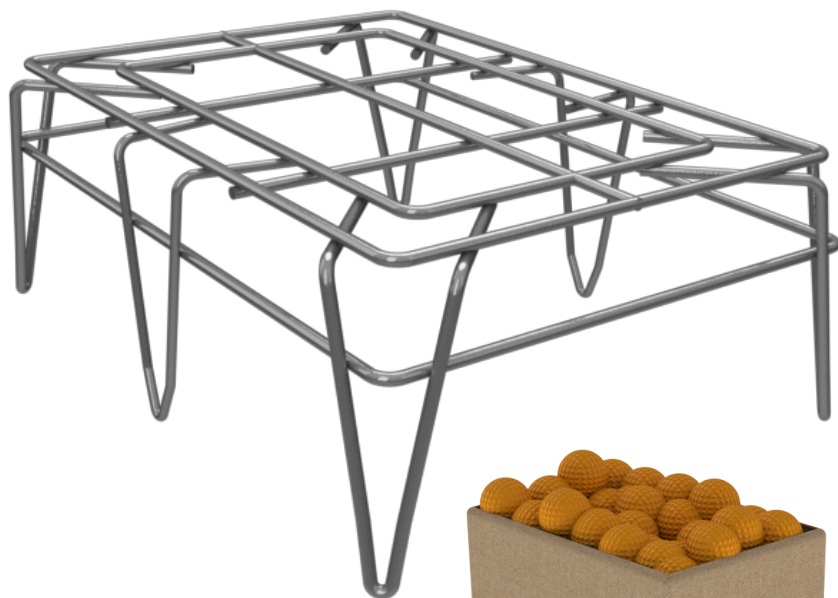


Wire Mini Platform



Custom Colors
Available

The wire mini platform lifts products off from the floor permitting air flow around the entire product. Prolong package life while permitting cleaning under the product.



Platforms Nest
When Not in Use

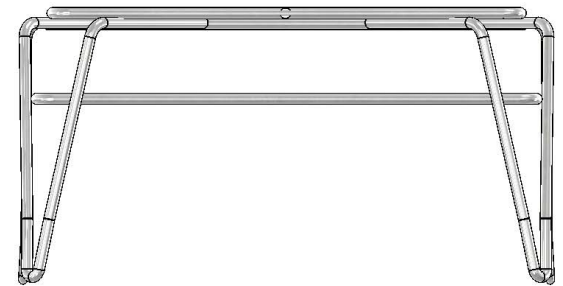
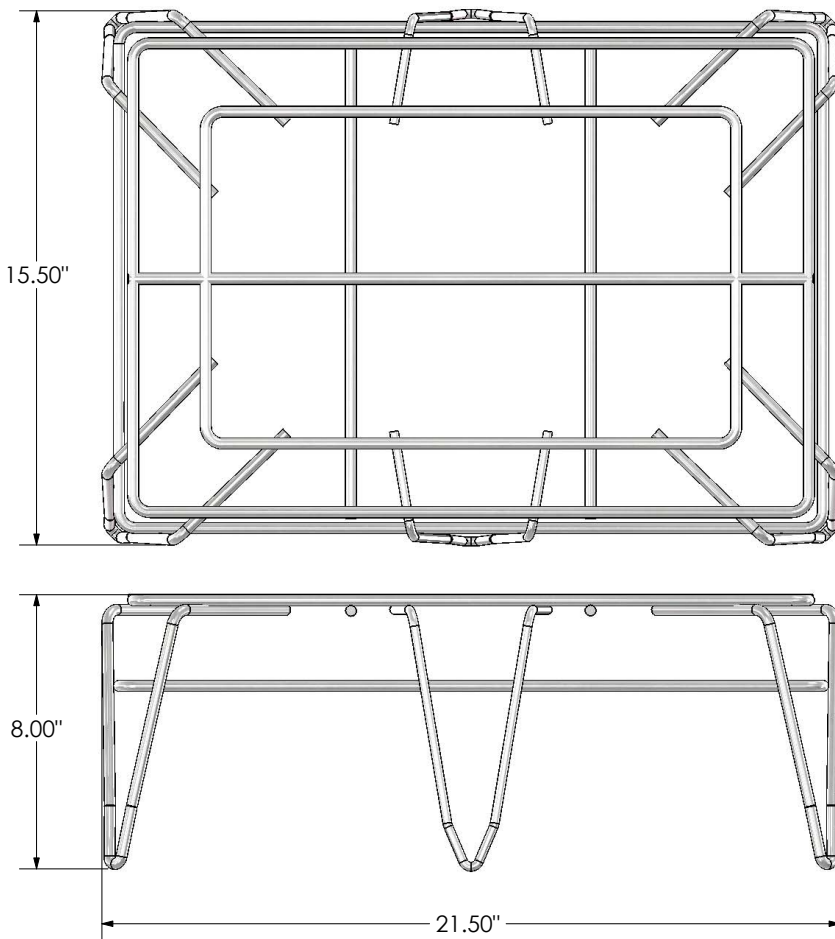
FEATURES:

- Solid metal construction
- Fully assembled and ready to use
- Nestable design takes up less storage space when not in use
- Durable beige powder coat finish (custom colors available contact your customer service representative)



Merchandising

Freight Class: 100
NMFC Code: 188560-S6



| Order # | Model | W | L | H | Weight |
|----------------|------------------------------|-----|-----|----|--------|
| 5000161 | WMP-1420, WIRE MINI PLATFORM | 14" | 21" | 8" | 5 lbs. |

Can't find exactly what you need? Give us a call and we'll help you with the perfect solution!



NATIONAL CART CO

PH: 800-455-3802

www.nationalcart.com

Revision Date: Mar. 2013