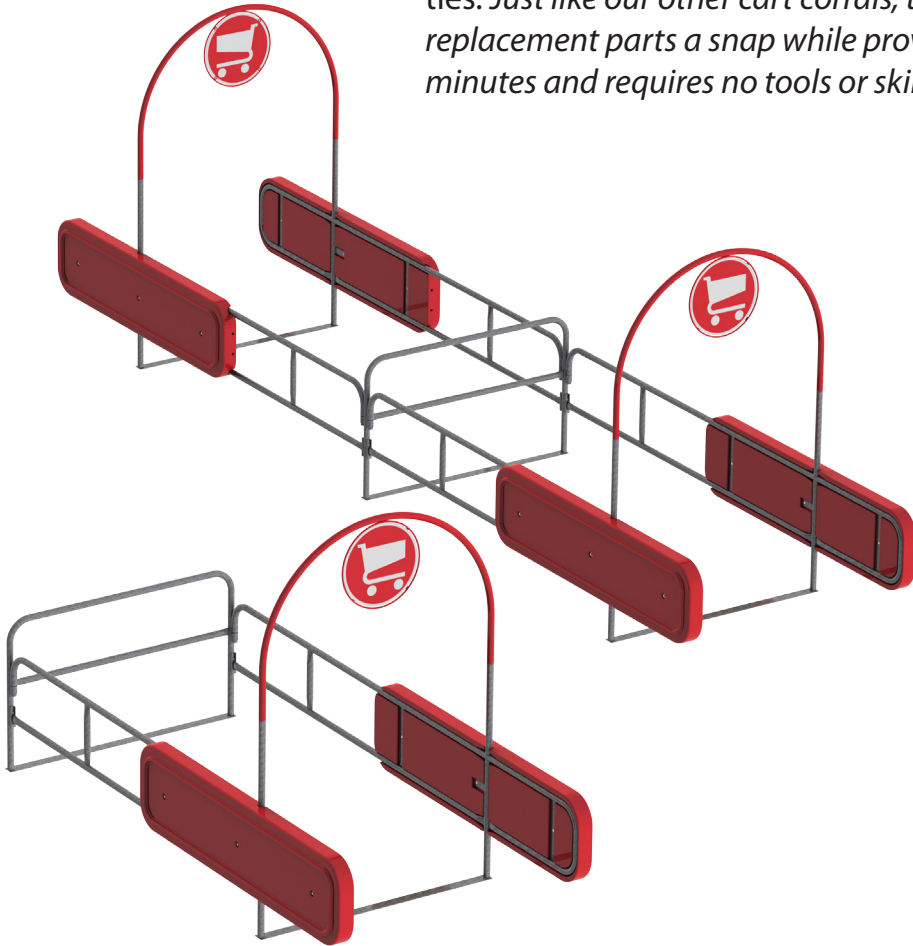


Snap Too Bumper Corral - Arc Style

Enjoy all of the benefits of our quality cart corrals with less work. National Cart's SNAP TOO Bumper Cart Corral is specifically designed to reduce damage to your customers car doors. These units can be designed to match your store's color identity/logo and increase branding opportunities. *Just like our other cart corrals, this one has a modular design that makes replacement parts a snap while providing a hassle free assembly that takes minutes and requires no tools or skilled labor.*



FEATURES:

- Increased visibility
- Bumpered side panels protect your customers car doors from scratches and dents
- Keeps loose carts secure while reducing loss prevention claims
- Heavy gauge galvanized mechanical steel tubing provides superior durability
- Durable powder coat finish on entry hoop and sign frame

- Recessed base plate reduces tripping hazard

Corral comes with Shopping Cart Sign

OPTIONS:

- Single or Double entry
- Anchors
- Custom Signage Available



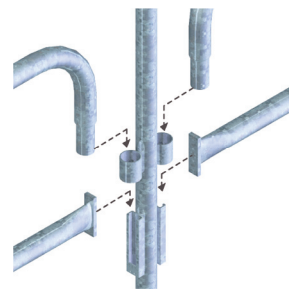
Red, Blue, Green, and Gray Standard Colors



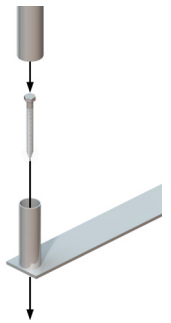
Full Colored Graphics available on Side Bumpers



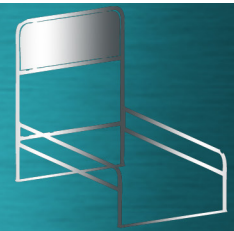
Custom Colors Available



Snap Together Assembly

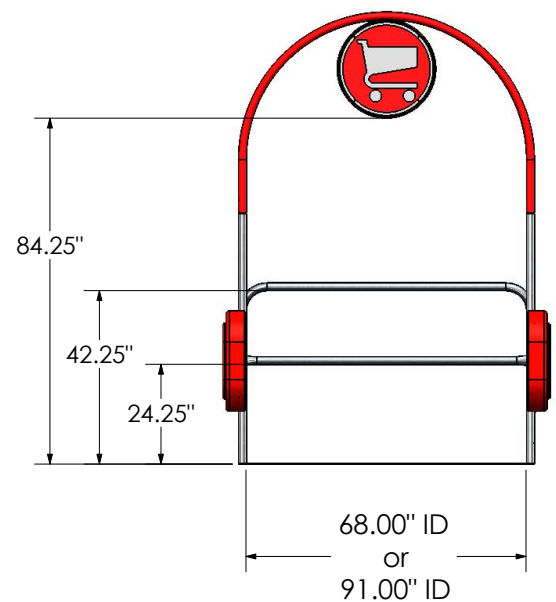
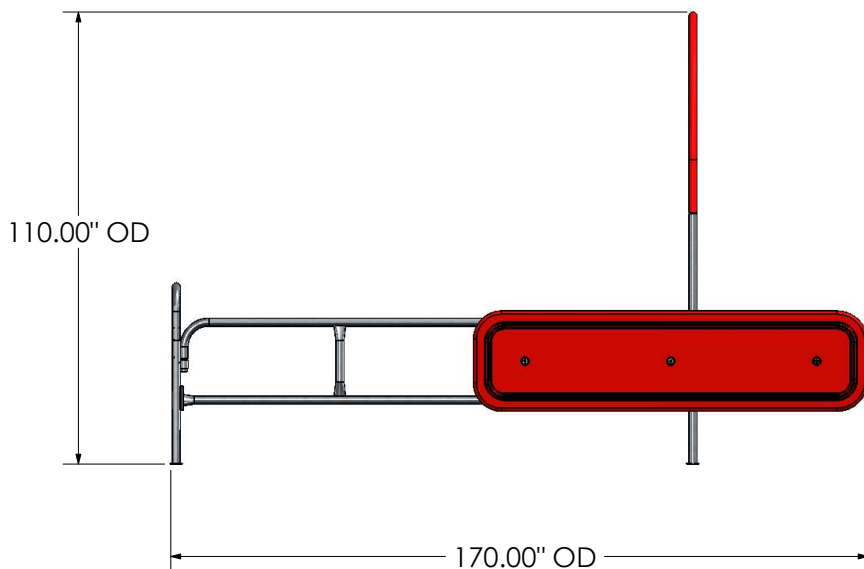
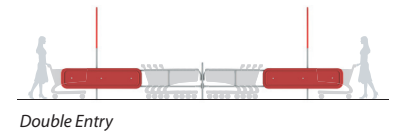
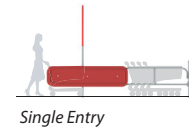
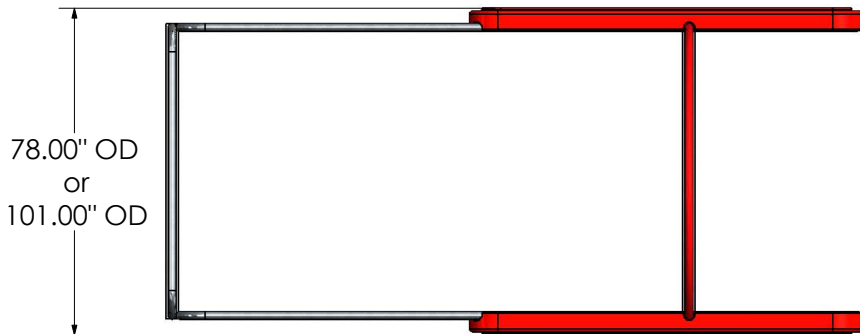


Optional Anchor



Cart Corrals

Freight Class: 250
 NMFC Code: 164390-S3



Please indicate color when ordering. Red, Blue, Green, and Gray come standard. Custom colors available.

Order #	Model	W	L	H	Entry	Weight
8030390	Snap Too Bumper Corral - Arc Style Two Bay	78"	170"	110"	Single	265 lbs.
8030391	Snap Too Bumper Corral - Arc Style Four Bay	78"	340"	110"	Double	480 lbs.
8030392	Snap Too Bumper Corral - Arc Style Three Bay	101"	170"	110"	Single	281 lbs
8030393	Snap Too Bumper Corral - Arc Style Six Bay	101"	340"	110"	Double	502 lbs.

Can't find exactly what you need? Give us a call and we'll help you with the perfect solution!



NATIONAL CART CO

PH: 800-455-3802

www.nationalcart.com

Revision Date: Mar. 2013