

Snap Too 721 Series Cart Corral

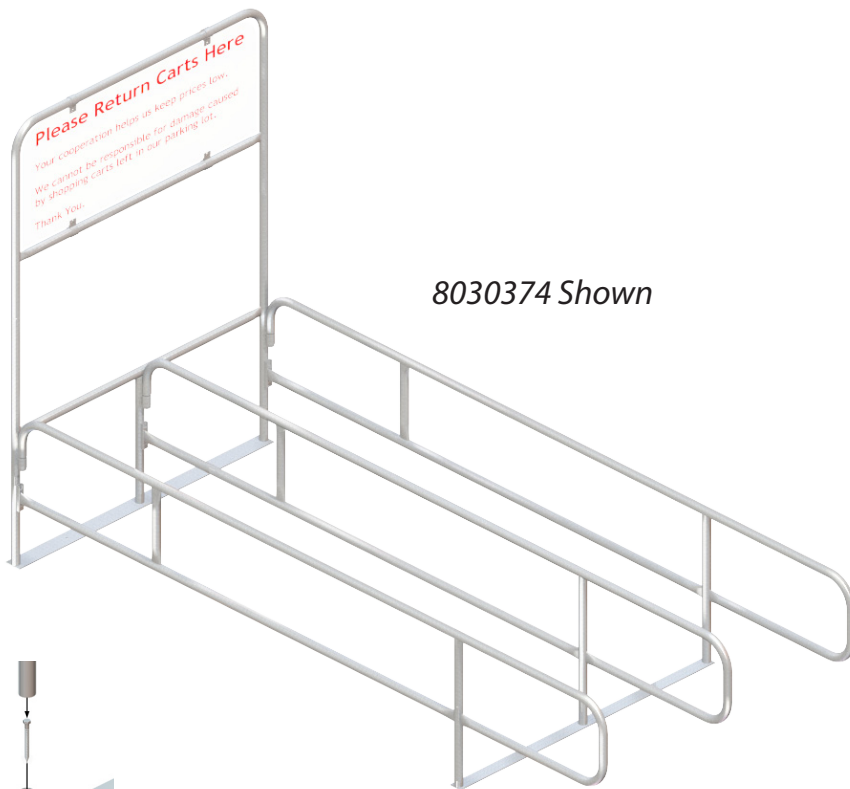
Enjoy all the benefits of our quality cart corrals with less work. The modular design of National Cart's SNAP TOO cart corral makes replacement parts a snap and provides a hassle free assembly that takes minutes and requires no tools.

FEATURES:

- Heavy gauge flow coat galvanized mechanical steel tubing provides superior durability
- 18-gauge steel signs with durable powder coated finish and silk screen printing
- Modular design allows for easy repairs and replacement parts
- Assembles in minutes with **NO TOOLS** or hardware required
- Recessed base plate reduces tripping hazard
- Reduced labor cost for installation

OPTIONS:

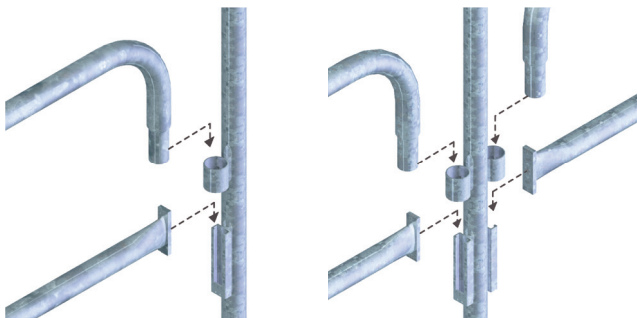
- Single Entry or Double Entry
- Anchors
- Powder coat finish available (Inquire with your customer service representative)
- Standard Sign: #3030288
Size 27" x 66" Text Style: 0597B
- Upgraded sign with disclaimer #3030181
Size 27" x 66" Text Style: 1424
- Custom Signage Available



8030374 Shown



Optional Anchor



Single Entry Assembly

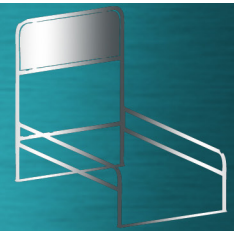
Double Entry Assembly

3030288
standard sign



3030181
upgraded sign

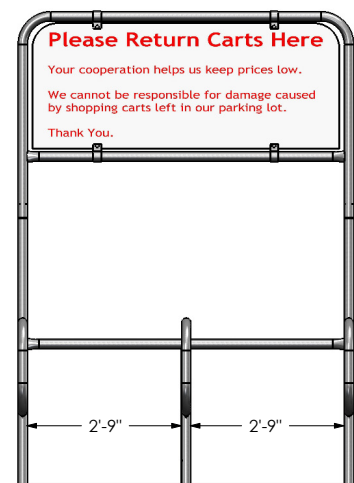
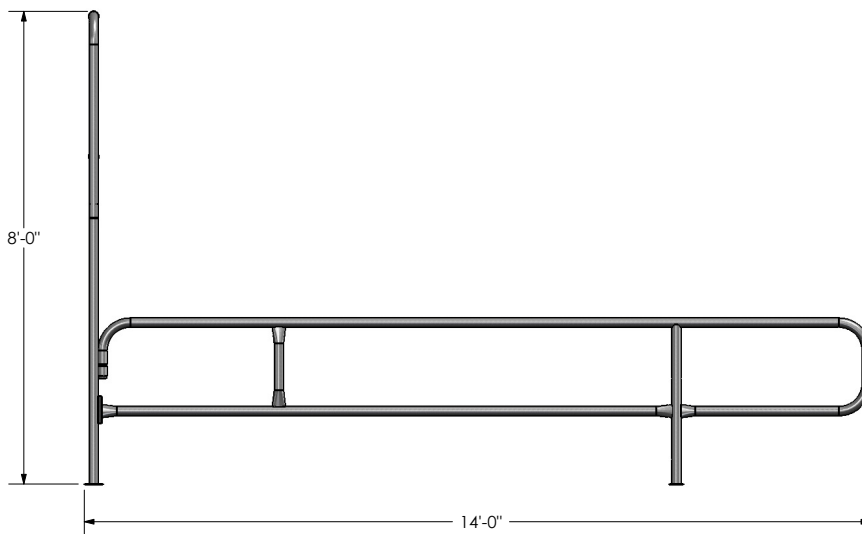
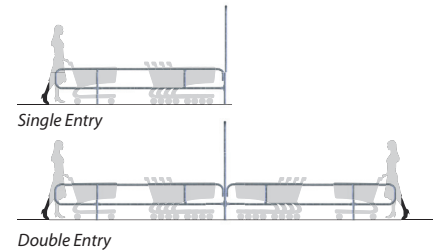




Cart Corrals

Freight Class: 250
 NMFC Code: 164390-S3

8030374 Shown



| Cart Corral Order # | Model | W | L | H | Entry | Weight |
|---------------------|--------------------------------|----|-----|----|--------|----------|
| 8030374 | CC-721-14-ST 6'WX14'LX8'H SEGP | 6' | 14' | 8' | Single | 273 lbs. |
| 8030375 | CC-721-28-ST 6'WX28'LX8'H DEGP | 6' | 28' | 8' | Double | 460 lbs. |
| B000108 | 5" Lag Bolt Anchor | - | - | - | - | - |

One sign per cart corral is included. Please indicate the sign order number when placing your order. To customize your sign, please contact your customer service representative. Other sign features are available on our sign page!

| Sign Order # | Model | H | W |
|----------------|----------------------------------|-----|-----|
| 3030181 | CCS-2766-1424 WHITE BG/RED PRINT | 27" | 66" |
| 3030288 | CCS-2766-0597B, WHT BKG/RED PRNT | 27" | 66" |

Can't find exactly what you need? Give us a call and we'll help you with the perfect solution!



NATIONAL CART CO

PH: 800-455-3802

www.nationalcart.com

Revision Date: Mar. 2013