

Produce/Stocking Carts

This versatile cart is an ideal transporter from back room to sales floor. Its heavy duty all sanitary aluminum construction is suitable for produce as well as other departments.



FEATURES:

- All welded sanitary aluminum frame
- Heavy duty t-bar cross members
- Sanitary cart comes fully assembled for immediate use
- Welded handle for superior control

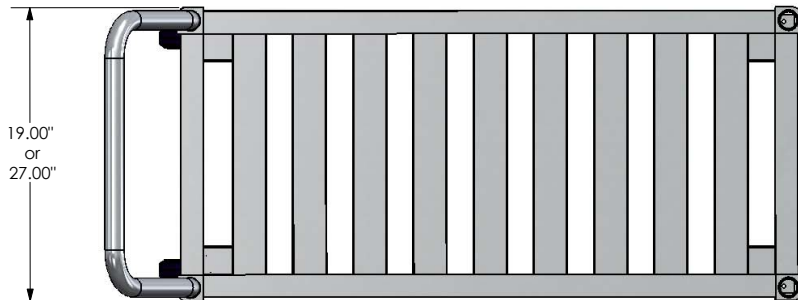
OPTIONS:

- Full Perimeter Bumper (FPB) version available (Contact your customer service representative)

REPLACEMENT PARTS:

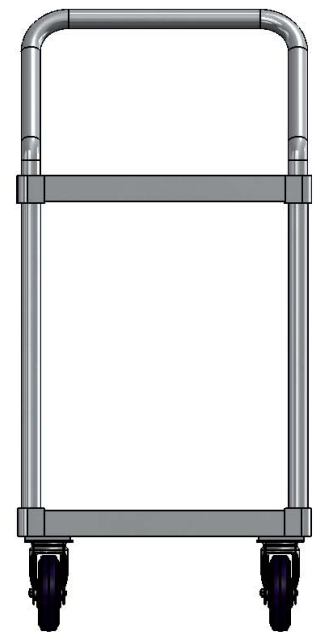
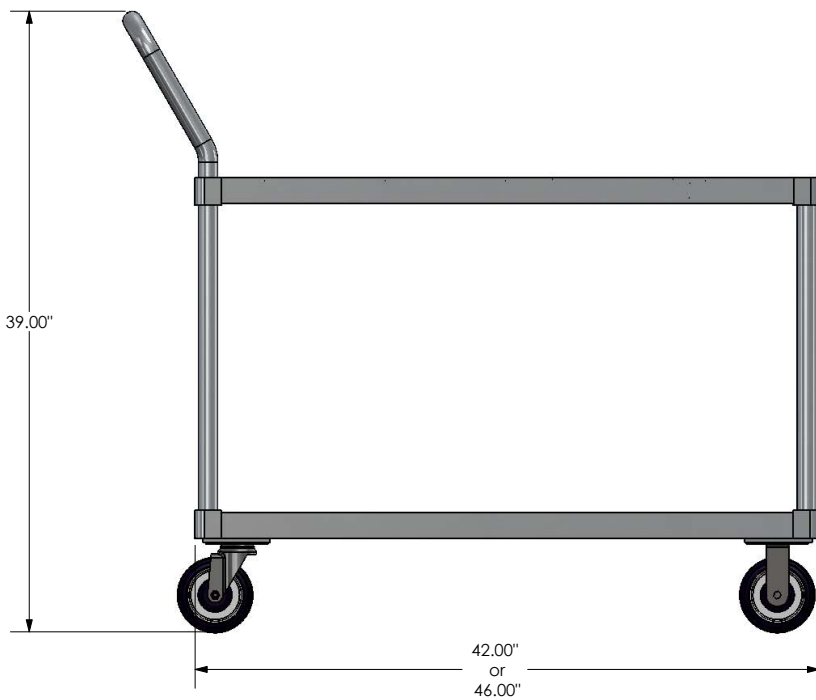
- 4 Wheel Design: (2) 5" x 1.25" front rigid polyurethane casters and (2) 5" x 1.25" rear swivel polyurethane casters
- 6 Wheel Design: (2) 5" x 1.25" polyurethane casters and (4) swivel polyurethane corner casters
- Rigid Casters Replacement Order #B000325
- Swivel Casters Replacement Order #B000312
- Fasteners Replacement Order #B000221 and #B000090





Freight Class: 300
 NMFC Code: 164390-S2

8040328



Order #	Model	W	L	H	Capacity	Weight	Full Perimeter Bumpers
8040328	ST-1942-4-SAS AL STOCK TRUCK	19"	42"	39"	500 lbs.	38 lbs.	No
8041224	ST-1942-4-SAS-FPB AL STOCK TRUCK	19"	42"	39"	500 lbs.	38 lbs.	Yes
8040329	ST-1942-6-SAS AL STOCK TRUCK	19"	42"	39"	750 lbs.	59 lbs.	No
8040330	ST-2746-4-SAS AL STOCK TRUCK	27"	46"	39"	1000 lbs.	61 lbs.	No
8040331	ST-2746-6-SAS AL STOCK TRUCK	27"	46"	39"	1000 lbs.	57 lbs.	No

Can't find exactly what you need? Give us a call and we'll help you with the perfect solution!