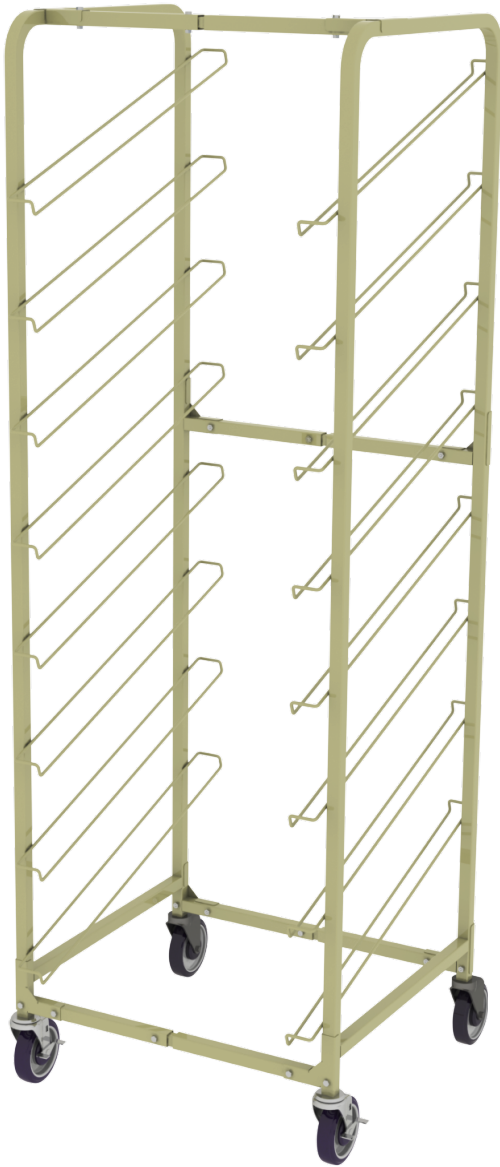


Bread Display Rack

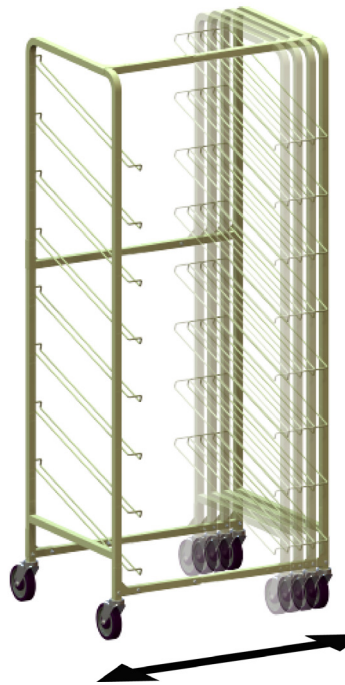


Custom Colors
Available

This adjustable rack is ideal for displaying daily bread specials. Unit has unique angle design that showcases a product's best features for quick turnover.



8000158 Shown



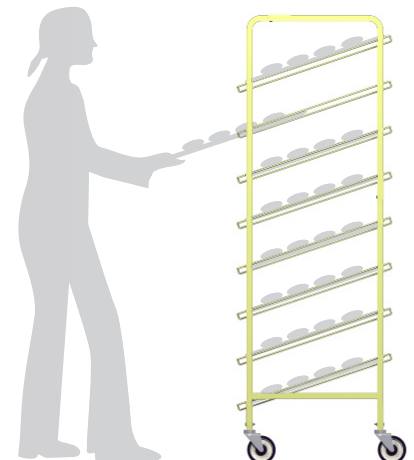
Frame easily adjusts to accommodate
different tray sizes

FEATURES:

- Unique adjustable frame fits most bread trays
- Durable beige powder coat finish (inquire with your customer service representative for other color options)
- (4) 5" swivel casters for easy mobility, (2) with brakes
- Ships knocked down for freight savings
- Comes standard with two front brakes

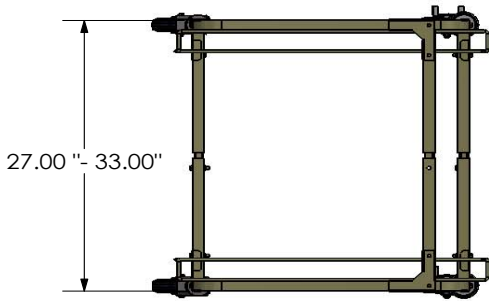
REPLACEMENT PARTS:

- (2) 5" x 1.25" swivel caster with polyurethane wheel. Order #B000025
- (2) 5" x 1.25" swivel caster with polyurethane wheel and square stem. With Brake. Order #B000491
- Fasteners: Hex head cap screw order #B000576 and two way lock nut order #B000198

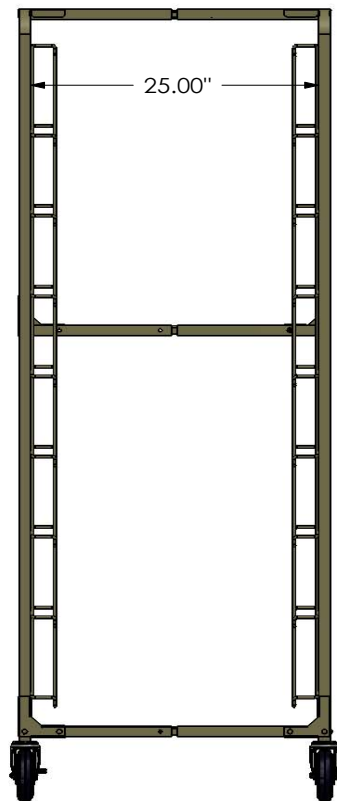
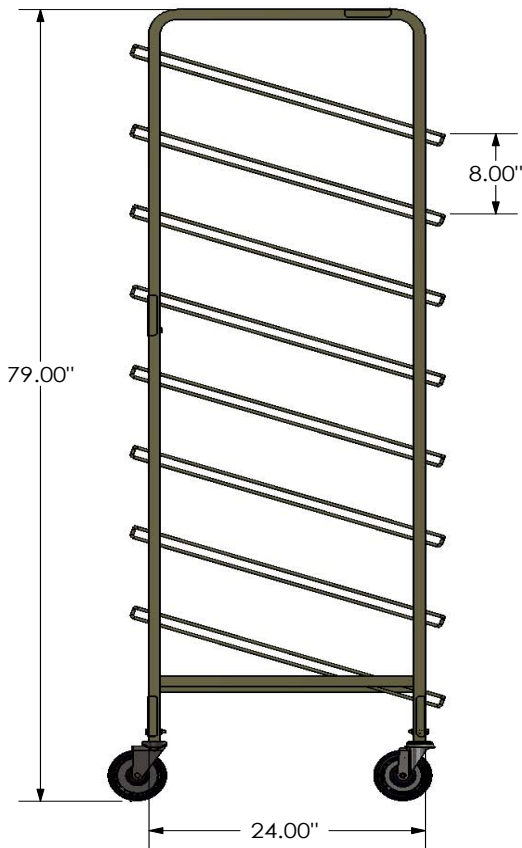




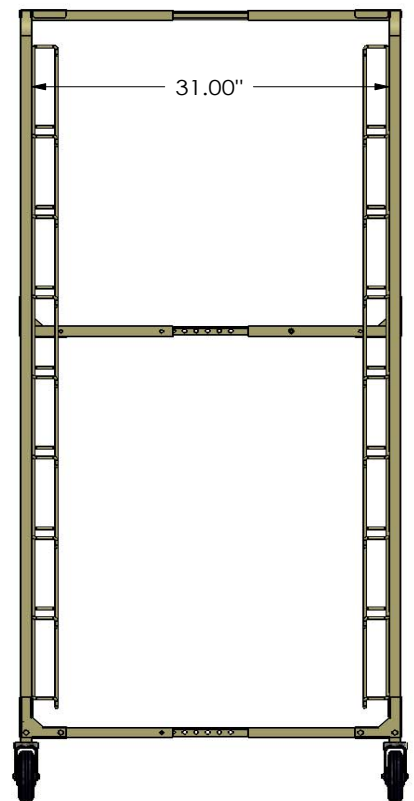
Freight Class: 85
 NMFC Code: 163980



8000158



Minimum Size



Maximum Size

Order #	Model	W	L	H	Capacity	Weight
8000158	SAV-8-BR SLANT DISPLAY BREAD RACK	27"-33"	24"	79"	8	87 lbs.

Can't find exactly what you need? Give us a call and we'll help you with the perfect solution!