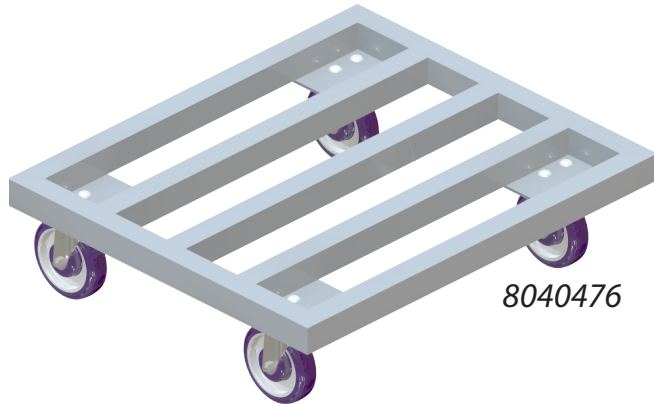
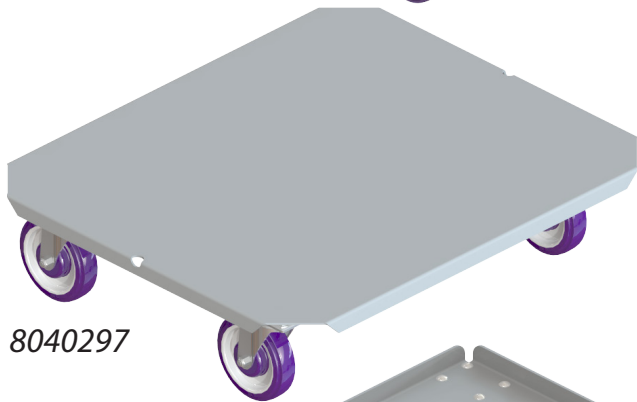


Aluminum Dollies

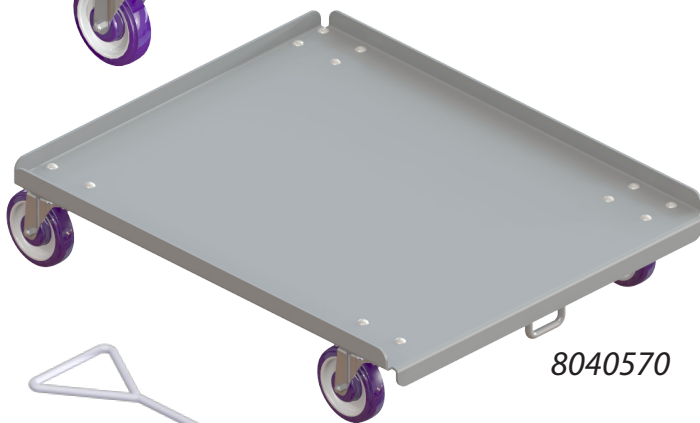
Traditionally used to transport product from loading dock to cooler and cooler to preparation areas. Conveniently sized to provide maximum efficiency while occupying minimal space.



8040476



8040297



8040570



8040408



- FEATURES:**
- Solid unit is designed and constructed from heavy gauge sanitary aluminum
 - Solid unit comes with a flat surface that features folded edges and hole for an optional pull handle
 - Tubular unit is all welded heavy duty sanitary aluminum tube that allows for greater capacities and better air circulation

- OPTIONS:**
- Pull Handle (PH) Order #8040408

- REPLACEMENT PARTS:**
- (4) 5" x 1.25" flat plate swivel casters with polyurethane wheels.
 - Caster/Wheel Replacement Order number for all dollies except 8040476 #B000312. Fasteners Order #B000543 and #B001257.
 - 8040476 Replacement Caster/Wheel Order #B000312. Fasteners Order #B000102 and #B000059.

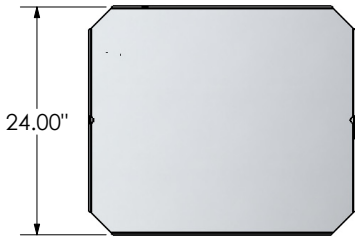




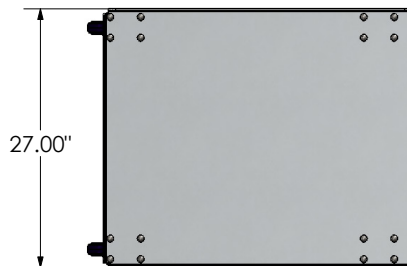
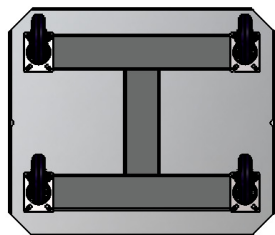
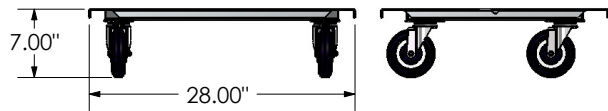
Bakery

Order #8040297, 8040298, 8040408,
8040476. Freight Class: 300
NMFC Code: 164390-S2

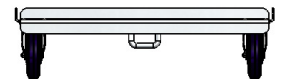
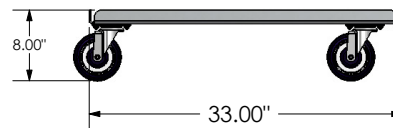
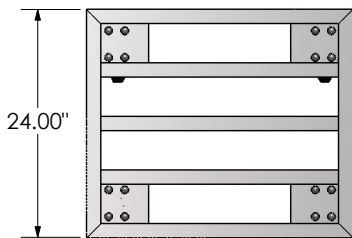
Order #8040300, 8040301, 8040570,
8040299. Freight Class: 100
NMFC Code: 188560-S2



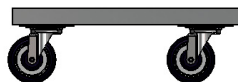
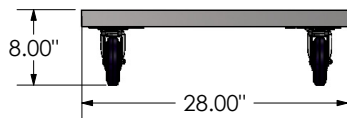
8040297



8040570



8040476



| Order # | Model | W | L | H | Capacity | Weight | Platform |
|---------|-------------------------------------|-----|-----|----|-----------|---------|--------------|
| 8040297 | AL-BBD-2428 BOXED BEEF DOLLY | 24" | 28" | 7" | 1000 lbs. | 20 lbs. | Solid Design |
| 8040298 | AL-BBD-2433 BOXED BEEF DOLLY | 24" | 33" | 7" | 1000 lbs. | 25 lbs. | Solid Design |
| 8040300 | AL-BBD-2440 BOXED BEEF DOLLY | 24" | 40" | 7" | 1000 lbs. | 30 lbs. | Solid Design |
| 8040301 | AL-BBD-2733 BOXED BEEF DOLLY | 27" | 33" | 7" | 1000 lbs. | 25 lbs. | Solid Design |
| 8040299 | AL-BBD-2433-T TUBULAR BXD BEEF DOLY | 24" | 33" | 8" | 1000 lbs. | 20 lbs. | Tube Design |
| 8040476 | AL-BBD-2428-T-TBLR BXD BEEF DOLLY | 24" | 28" | 8" | 1000 lbs. | 19 lbs. | Tube Design |
| 8040570 | AL-UDK-2733 ALUM. UNIVERSAL DOLLY | 27" | 33" | 8" | 1000 lbs. | 20 lbs. | Solid Design |
| 8040408 | PH-1 PULL HANDLE FOR CHICKEN DOLLY | - | 30" | - | - | 2 lbs. | - |

Can't find exactly what you need? Give us a call and we'll help you with the perfect solution!



NATIONAL CART CO

PH: 800-455-3802

www.nationalcart.com

Revision Date: Mar. 2013