

Embedded Cart Corral

Cart corrals ensure the safety and simplicity of gathering your carts while decreasing damage to customers' vehicles from stray carts. Covered cart corrals provide superior protection for your carts from harmful weather conditions and ultra violet rays. This embedded, covered corral is permanently embedded to the parking lot grade and its corrosive resistant coating is of the highest standard.



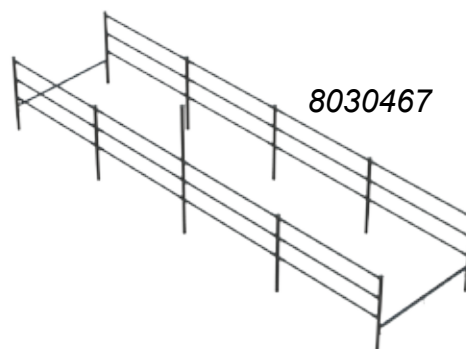
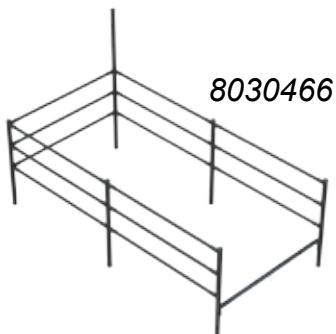
FEATURES:

- Substantial cart corral is permanently embedded into the parking lot grade for maximum stability
- Engineered to meet building code standards
- Constructed of heavy-duty hot-dipped galvanized pipe
- Corrosive resistant coating is of the highest standard
- Corrugated Galvalume roof panels
- Increased visibility with covered design
- Keeps carts secure while reducing shopping cart claims
- Ships knocked down for freight savings



OPTIONS:

- Available with or without roof
- Single or Double entry
- Additional roof styles, designs, and colors available
- Custom Signage Available, sold separately



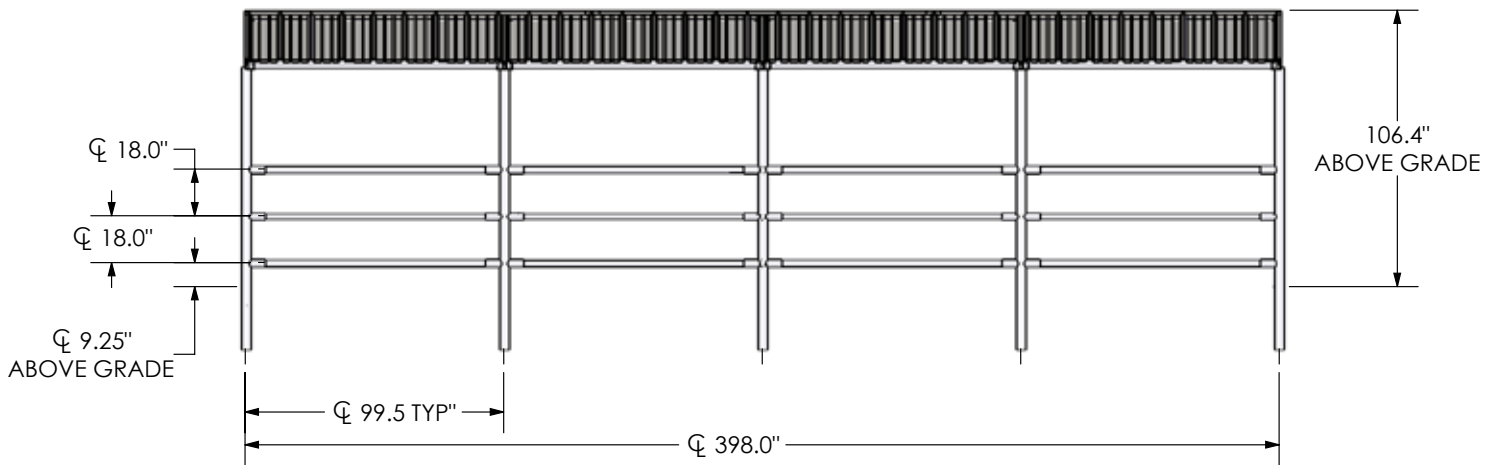
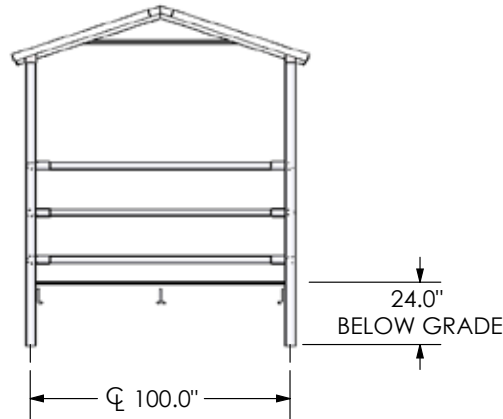
Custom Colors
Available



Cart Corrals

Freight Class: 250
 NMFC Code: 164390-S3

8030477 Shown



Order #	Model	W	L	H	Entry	Roof Style	Weight
8030466	CC-EMBEDDED SINGLE ENTRY CART CORRAL	8' 7"	16' 9"	4'	Single	Open	608 lbs.
8030467	CC-EMBEDDED DOUBLE ENTRY CART CORRAL	8' 7"	33' 5"	4'	Double	Open	984 lbs.
8030487	CC-COVERED EMBEDDED SE CC GRAY TOP	8' 7"	16' 9"	8'	Single	Covered	1,020 lbs.
8030477	CC-COVERED EMBEDDED DE CC GRAY TOP	8' 7"	33'	8'	Double	Covered	1,688 lbs.

Can't find exactly what you need? Give us a call and we'll help you with the perfect solution!



NATIONAL CART CO

PH: 800-455-3802

www.nationalcart.com

Revision Date: Sept. 2014