

# Ornamental Covered Cart Corral

National Cart's Ornamental Covered Cart Corral is designed to make a lasting first impression when customers first enter your parking lot. This upscale corral has a heavy-duty, durable construction that can endure years of tough usage in your parking lot. The architectural styling of the corral can easily be modified to meet local city ordinances and the ornamental, iron look will add style and compliment your store's brand in the parking lot.



Custom Colors  
Available

## FEATURES:

- *The high visibility of the peaked roof welcomes customers and leads them to proper cart return*
- *Upscale ornamental iron, covered style increases store branding opportunities*
- *Custom engineered pre-cast concrete curbs secure the corral without the need of anchors, core drilling, or pouring cement*
- *Constructed of heavy duty galvanized mechanical square tubing that provides years of interior and exterior corrosion protection*
- *Steel is topcoated with Super Durable Siliconized Polyester powder-coat specifically formulated for longevity in outdoor service*
- *Stainless steel hardware and hot-dip galvanized leg levelers allow the corral to be leveled across inconsistent parking lot grade*
- *Polygal® roof panels let light shine through, while protecting your assets from the elements*
- *Full length exterior and interior bumpers protect car doors and shopping carts*
- *Shopping cart return signage*
- *Ships knocked down for freight savings*

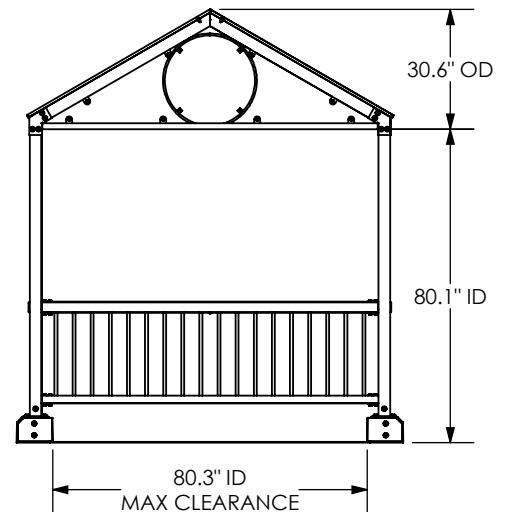
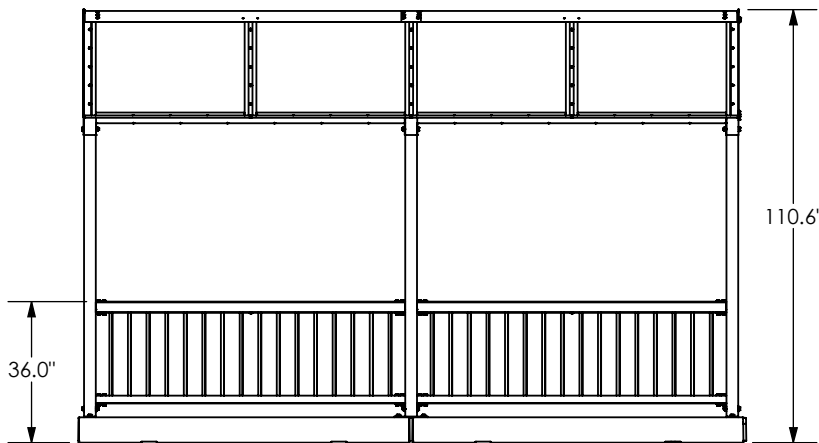
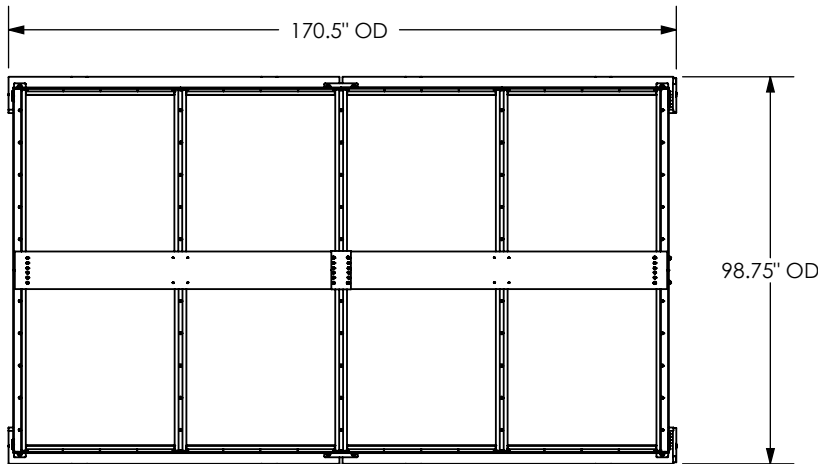
## OPTIONS:

- *Additional roof styles, designs, and colors available*
- *Single or Double entry*
- *Custom Signage Available*



**Cart Corrals**

Freight Class: 250  
NMFC Code: 164390-S3



*Please call to order. Custom design, colors, and roof styles available.*

*Can't find exactly what you need? Give us a call and we'll help you with the perfect solution!*



**NATIONAL CART CO**

**PH: 800-455-3802**

**[www.nationalcart.com](http://www.nationalcart.com)**

Revision Date: Sept. 2014