

Icing Cart

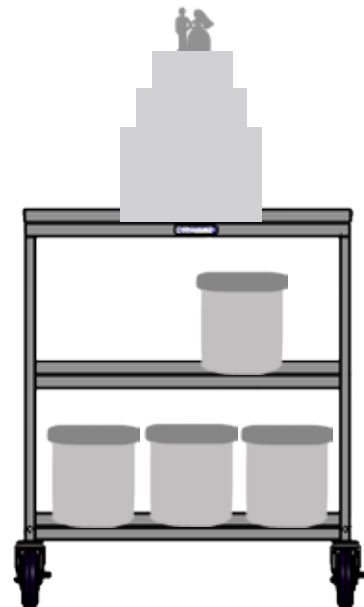
This all-welded sanitary cart is perfect for transporting cakes, tools, icing, and decorations from the bakery, to a vehicle, and to a reception hall, all on one cart. This cart transfers cakes and food conveniently and safely with raised lips around three sides of the top shelf and on the back of the bottom two shelves. The side rails on the bottom two shelves provide additional protection from possible accidents and carrying heavy cake tiers separately. The four locking casters make this cart ideal for decorating, transporting and display!

FEATURES:

- Four locking brakes to prevent cakes or decorations from possible accidents
- Additional protection with raised lips on sides and back on top shelf and raised back on bottom two shelves
- Protective side rails for bottom two shelves
- Constructed from all welded sanitary aluminum
- 13" shelf spacing

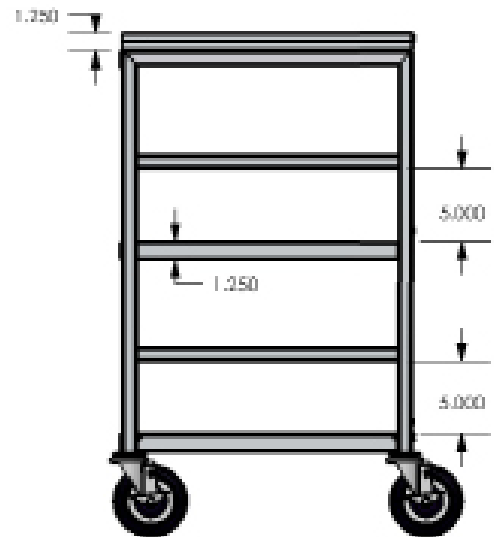
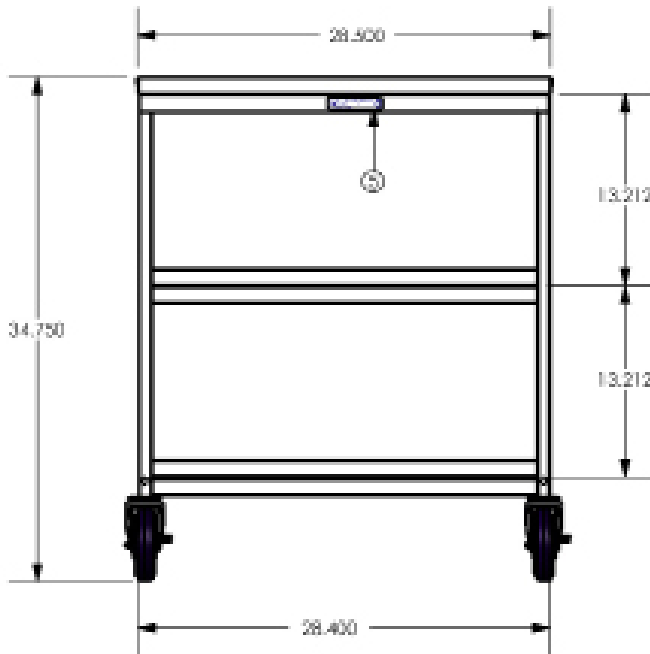
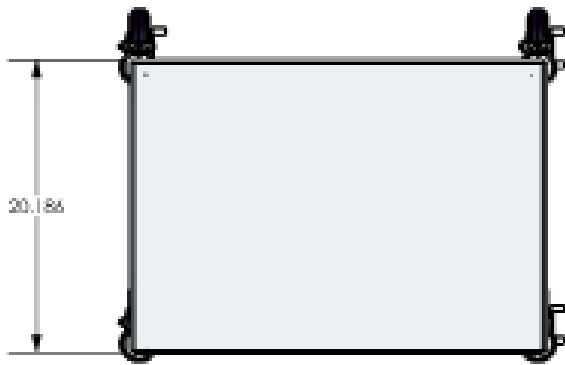
REPLACEMENT PARTS:

- (4) 5" x 1.25" polyurethane wheels with brake. Replacement Order #B000491
- Zinc Bolt Replacement Order #B000576
- Zinc Nut Replacement Order #B000198





Freight Class: 150
 NMFC Code: 188560-S4



Order #	Model	W	L	H	Weight
8040947	AL-IC-3, ICING CART	20"	28 1/2"	34 3/4"	34 lbs.

Can't find exactly what you need? Give us a call and we'll help you with the perfect solution!