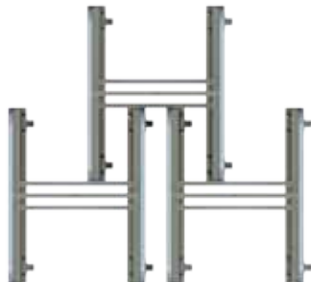
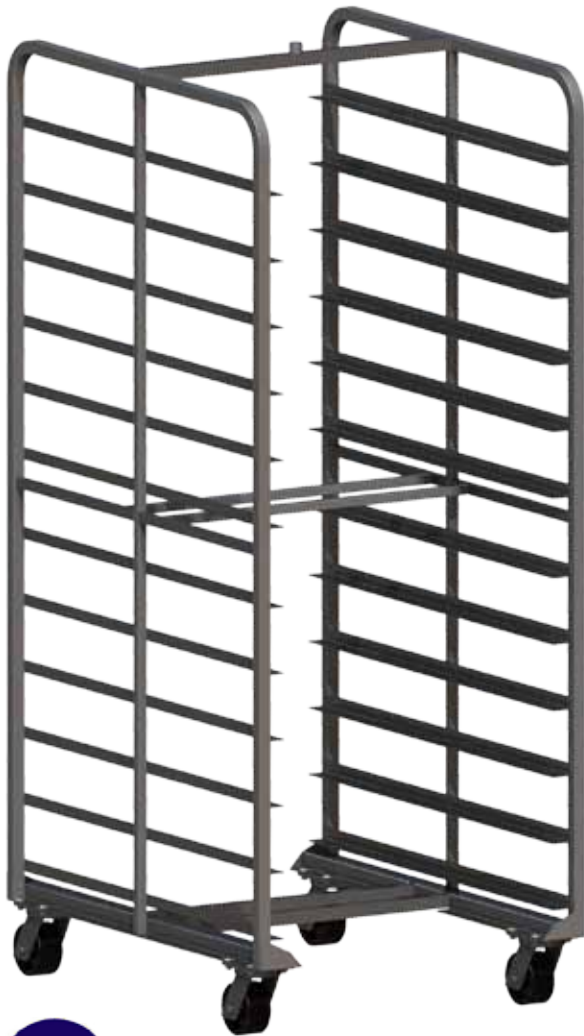


H-Nest Bakery Oven Racks

**20+%
SPACE
SAVINGS!**

The nesting capability of these bakery oven racks saves valuable space when storing in your bakery or back room.



FEATURES:

- Heavy duty stainless steel construction
- High-temp wheels on stainless steel rigs

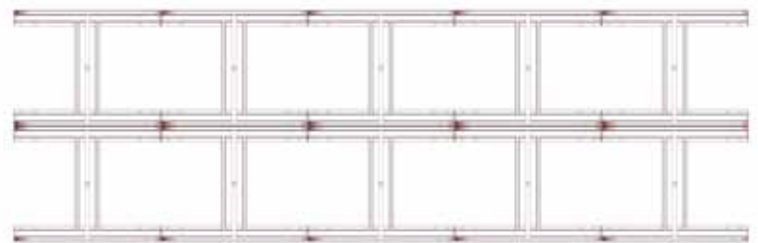
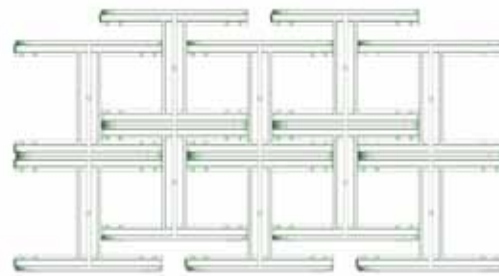
OPTIONS:

- Available in "A" (shown), "B", "C", and "D" lifting styles
- Aluminum or all-stainless steel construction available
- Available in pan capacities of 10, 12, 15, and 20

REPLACEMENT PARTS:

- (4) 4" x 2" swivel high-temp wheels and caster. Replacement order #B001405
- Zinc Nut. Replacement order #B001225
- Carriage Bolt. Replacement order #B000503

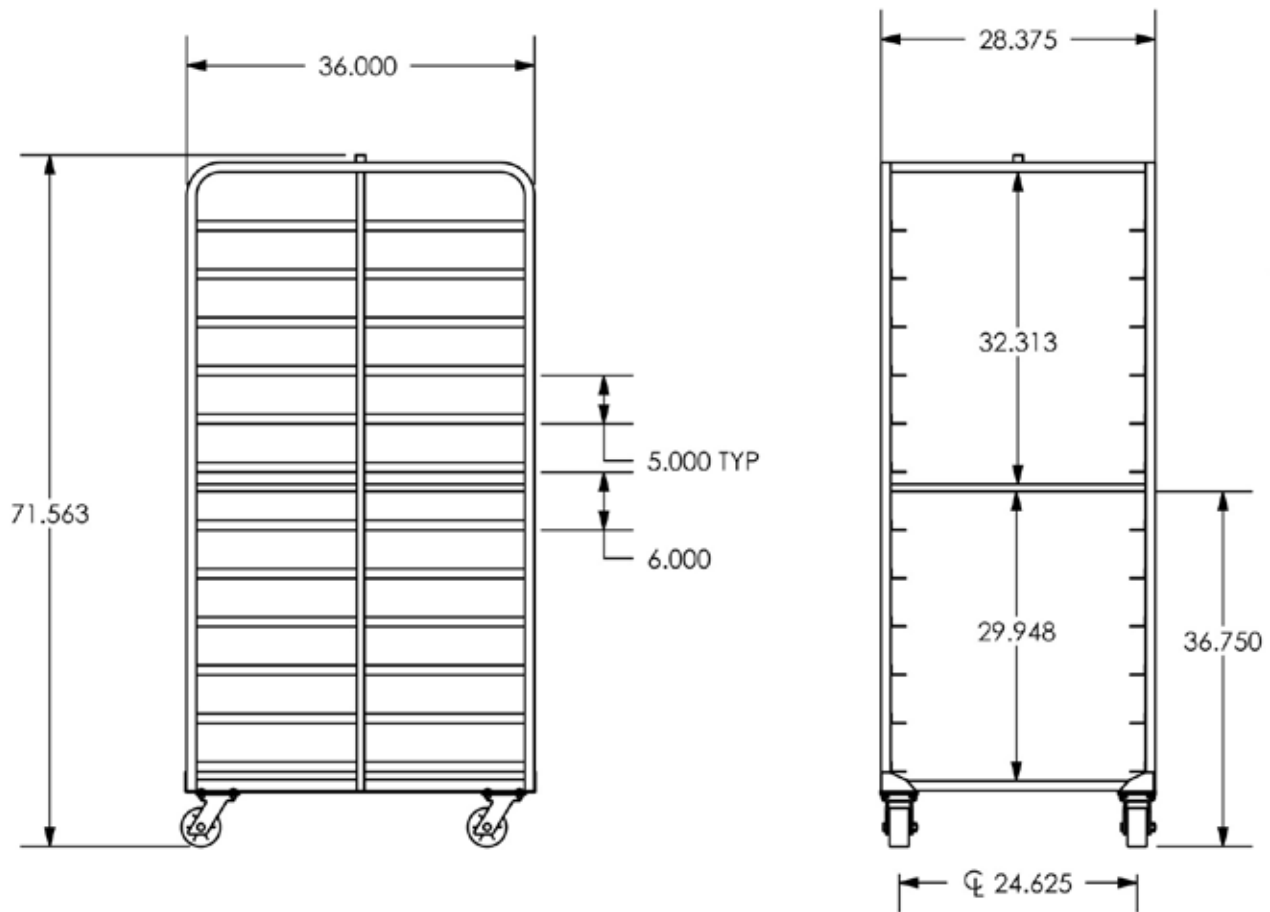
5 NEXT Racks = 27.9 Sq. Ft.



5 Standard Racks = 35.9 Sq. Ft.



Freight Class: 300
 NMFC Code: 164390-S2



Order #	Model	W	L	H	Pan Capacity
8050017	SS-2610-BORA-RV-DBL-N	28 1/2"	36"	71 1/2"	10
8050063	SS-26-12-BORA-RV-DBL-N, CAL CASTERS	28 1/2"	36"	71 1/2"	12
8050064	SS-2615-BORA-RV-DBL-N, CAL CASTERS	28 1/2"	36"	71 1/2"	15
8050019	SS-26-BORA-RV-DBL-N	28 1/2"	36"	71 1/2"	20

Can't find exactly what you need? Give us a call and we'll help you with the perfect solution!



NATIONAL CART CO

PH: 800-455-3802

www.nationalcart.com

Revision Date: Oct. 2013