

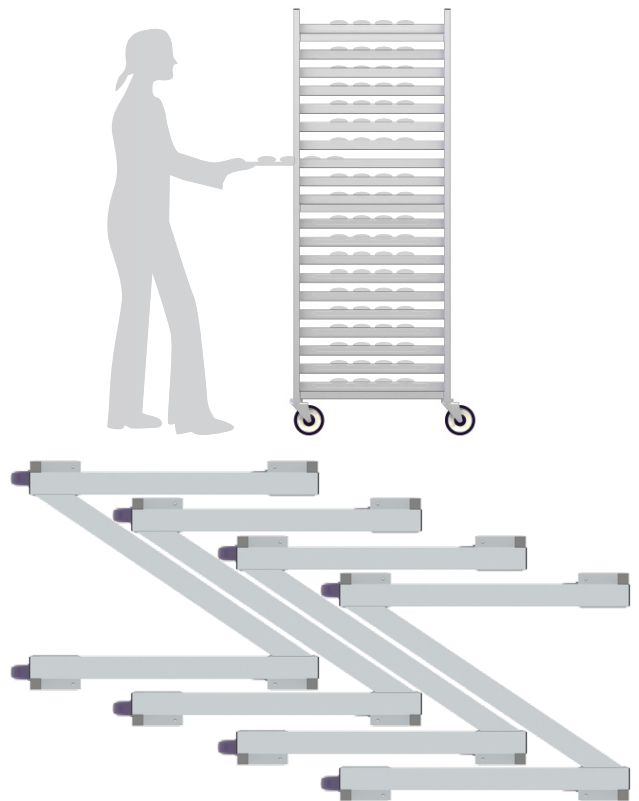
# Z-Style Nesting Pan Rack

*Ideal pan rack for the crowded back rooms. Racks are nestable when not in use to help conserve space, yet equal in strength to standard units.*



8041244 Shown

- FEATURES:**
- Z-Style nesting capabilities
  - Fully welded aluminum design
  - Save valuable space when storing these carts
  - Heavy duty construction
- REPLACEMENT PARTS:**
- (4) 5" x 1.25" swivel casters with polyurethane wheels. Replacement order #B000312
  - Fasteners: Hex head cap screw order #B000221 and lock washer order #B000090

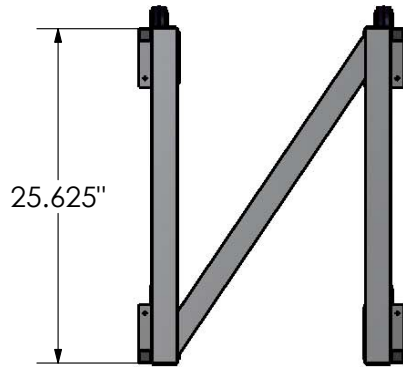


Shown Nested

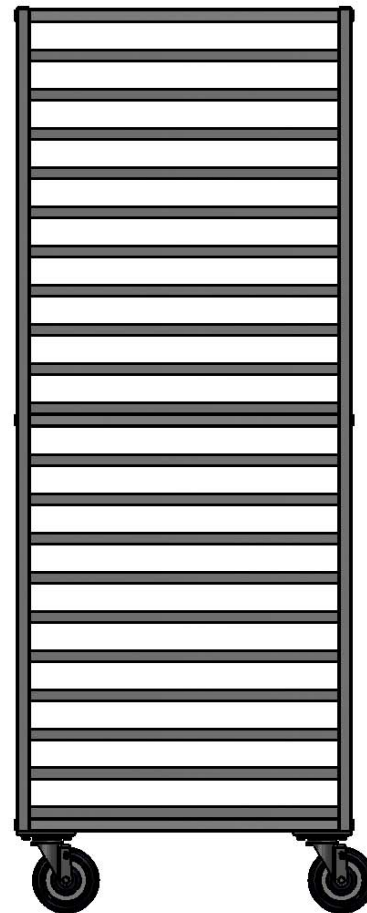
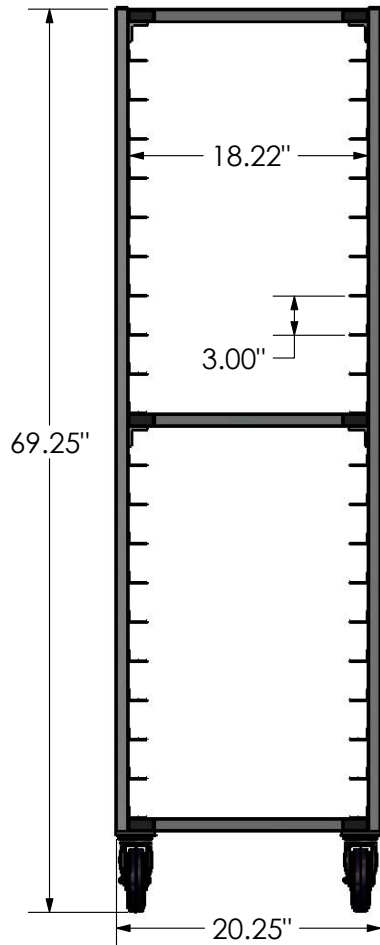


**Bakery**

Freight Class: 300  
 NMFC Code: 164390-S2



8041244



Order #	Model	W	L	H	Shelf Spacing	Pan Capacity	Weight
8041244	AL-1820, HD Z RACK	20 3/8"	26 5/8"	69 1/4"	3"	20 pans	55 lbs.

Can't find exactly what you need? Give us a call and we'll help you with the perfect solution!



**NATIONAL CART CO**

**PH: 800-455-3802**

**www.nationalcart.com**

Revision Date: Mar. 2013