

# Utility Marking Stocking Carts

*This versatile stock cart is an excellent transporter for stock room and sales floor. Its heavy duty galvanized construction makes this unit suitable for produce as well as other departments. The perfect solution to all your transportation requirements.*

8000151



8000257



8041242

#### FEATURES:

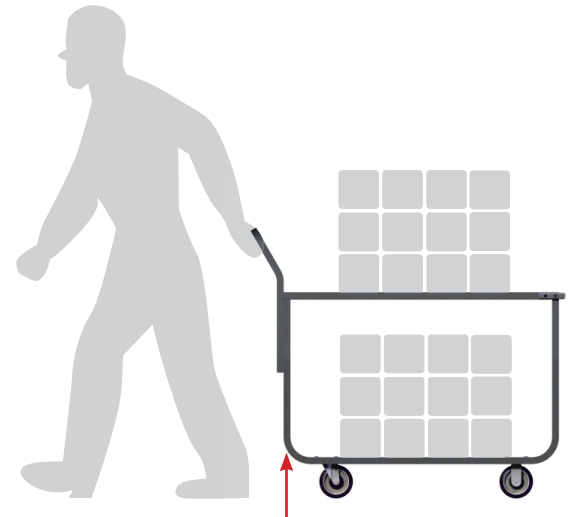
- All welded square galvanized tube frame
- Solid upper shelf and a tube style lower shelf
- Straight leg design along with 2 standard front bumpers
- Innovative design virtually eliminate any marring or scratching of your cases
- Convenient counter height top with large working surface

#### OPTIONS:

- Full Perimeter Bumpers (FPB) version available (Contact your customer sales representative)

#### REPLACEMENT PARTS:

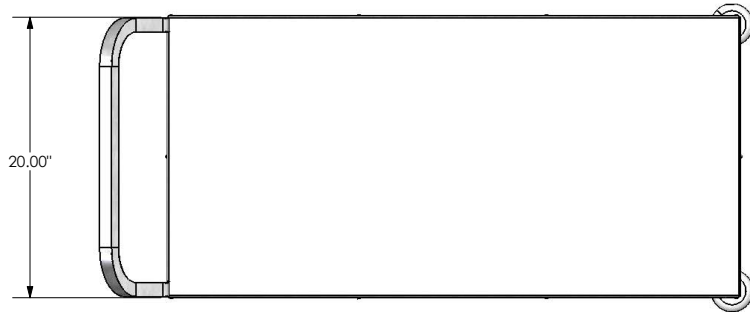
- 2 rear swivel casters with 5" x 1.25" polyurethane wheels. Replacement Order #B000312
- 2 front rigid casters with 5" x 1.25" polyurethane wheels. Replacement Order #B000325



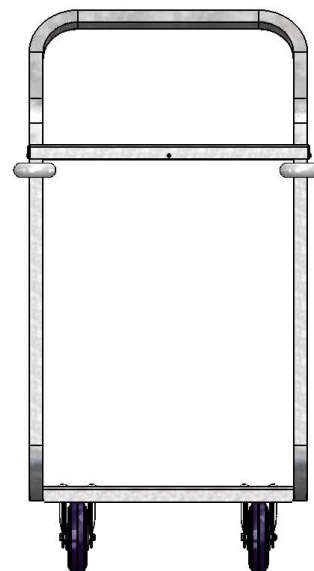
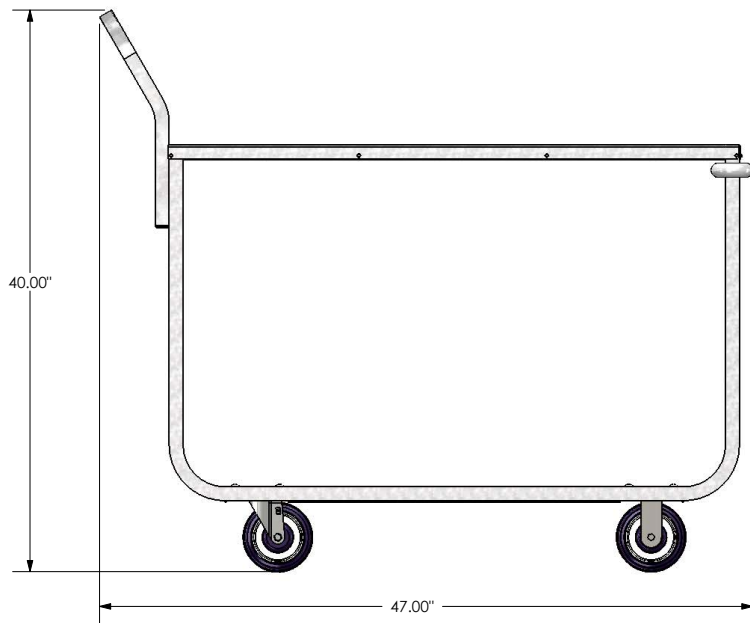
*Radius bottom corners are Achilles heel friendly*



Freight Class: 150  
 NMFC Code: 188560-S4



8000151



| Order #        | Model                             | W   | L       | H       | Cart Capacity | Weight  | Full Perimeter Bumpers | Material |
|----------------|-----------------------------------|-----|---------|---------|---------------|---------|------------------------|----------|
| <b>8000151</b> | ST-2042-A, HD GALV STOCK TRUCK    | 20" | 47"     | 40"     | 1000 lbs.     | 54 lbs. | No                     | Steel    |
| <b>8000256</b> | ST-2042-A-FPB HD GALV STOCK TRUCK | 20" | 47"     | 40"     | 1000 lbs.     | 54 lbs. | Yes                    | Steel    |
| <b>8000257</b> | ST-1734-A GALV STOCK TRUCK        | 17" | 38"     | 40"     | 1000 lbs.     | 61 lbs. | No                     | Steel    |
| <b>8041242</b> | AL-ST-2044 AL STOCK TRUCK         | 20" | 49 1/4" | 41 1/2" | 750 lbs       | 30 lbs  | No                     | Aluminum |

Can't find exactly what you need? Give us a call and we'll help you with the perfect solution!



**NATIONAL CART CO**

**PH: 800-455-3802**

**www.nationalcart.com**  
 Revision Date: Mar. 2013