

Slant Merchandiser

This attractive merchandiser can be used to showcase products for the entire department or as a spot merchandiser to highlight certain products. The unit can be easily moved for cleaning or repositioning throughout the store. Deck angle is adjustable for maximum flexibility in product positioning.

FEATURES:

- Increase product visibility
- Maximize sales floor space
- All aluminum construction
- Collapsible design saves space when stored

REPLACEMENT PARTS:

- (2) 5" x 1.25" swivel casters with polyurethane wheels. Replacement order #B000312.
- (2) 5" x 1.25" swivel casters with polyurethane wheels and brakes. Replacement order #B000435.



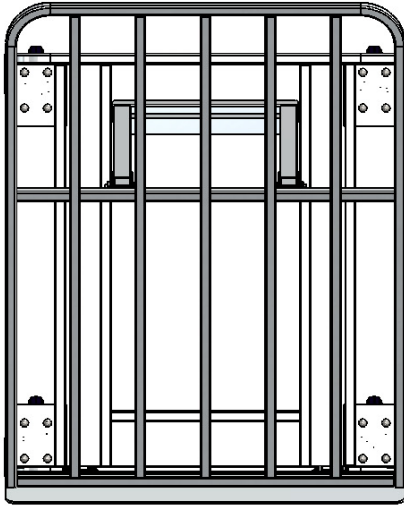
8040737



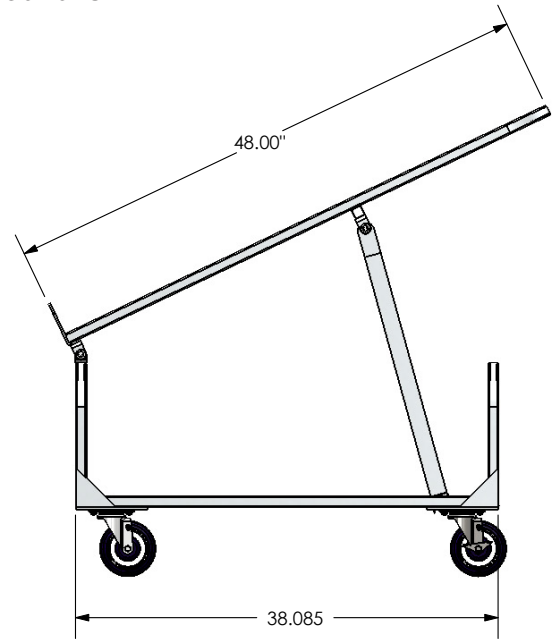
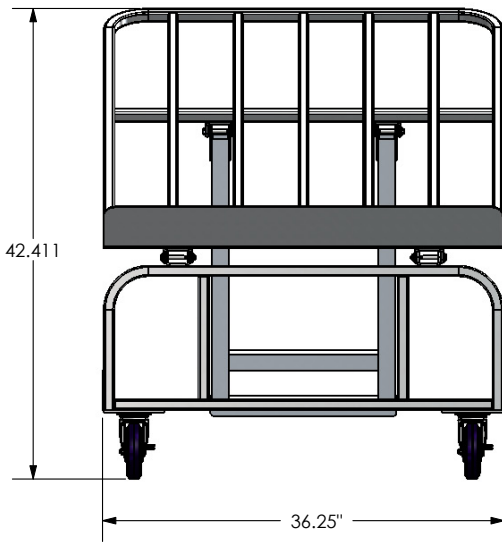


Merchandising

Freight Class: 300
 NMFC Code: 164390-S2



8040737



Order #	Model	W	L	H	Weight
8040953	AL-PSM-2448	24.25"	28"	26"/43"	39 lbs.
8040737	AL-PSM-3648	36.25"	38"	26"/43"	45 lbs
8040967	AL-PSM-4848	48.25"	38"	26"/43"	65 lbs

Can't find exactly what you need? Give us a call and we'll help you with the perfect solution!



NATIONAL CART CO

PH: 800-455-3802

www.nationalcart.com

Revision Date: Mar. 2013