

Poly Bag Stands



Custom Colors
Available

This attractive fixture conveniently dispenses poly bags to your customers. An optional bag tie holder is mounted on top of the unit for customer use. This unit is easily moved for changing display options and cleaning purposes.

FEATURES:

- All welded steel
- Durable black powder coat finish
- Heavy duty base provides a free standing unit
- No need for required anchors

OPTIONS:

- Bag Tie Holder (BTH)



8010020 Shown
with optional bag
tie holder

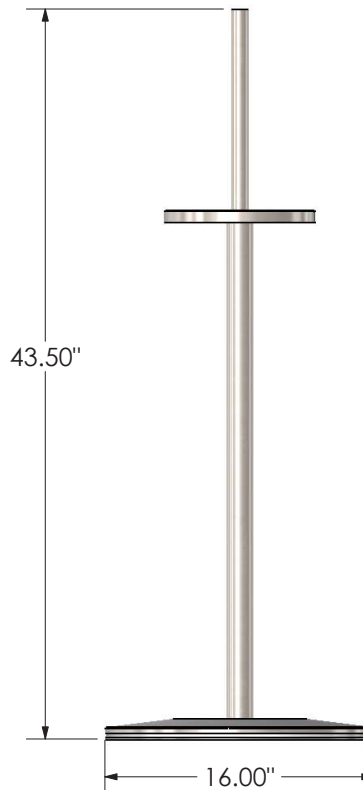
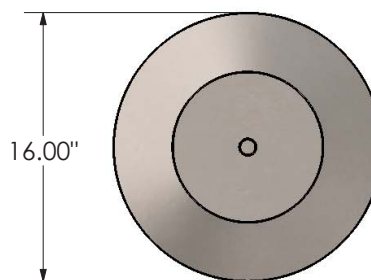
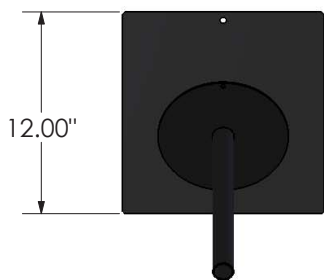
8050002





Fixtures

Freight Class: 250
 NMFC Code: 178690-S3



Order #	Model #	W	L	H	Capacity	Weight
8010020	FSBH-1A-PC, 1-ROLL POLY BAG STAND	12"	12"	43"	1 roll	24 lbs.
8050002	SS-BS, S/S BAG STAND	16"	16"	43 1/2"	1 roll	25 lbs.
B000619	BAG TIE HOLDER	-	-	-	-	-

Can't find exactly what you need? Give us a call and we'll help you with the perfect solution!



NATIONALCART CO

PH: 800-455-3802

www.nationalcart.com

Revision Date: Mar. 2013