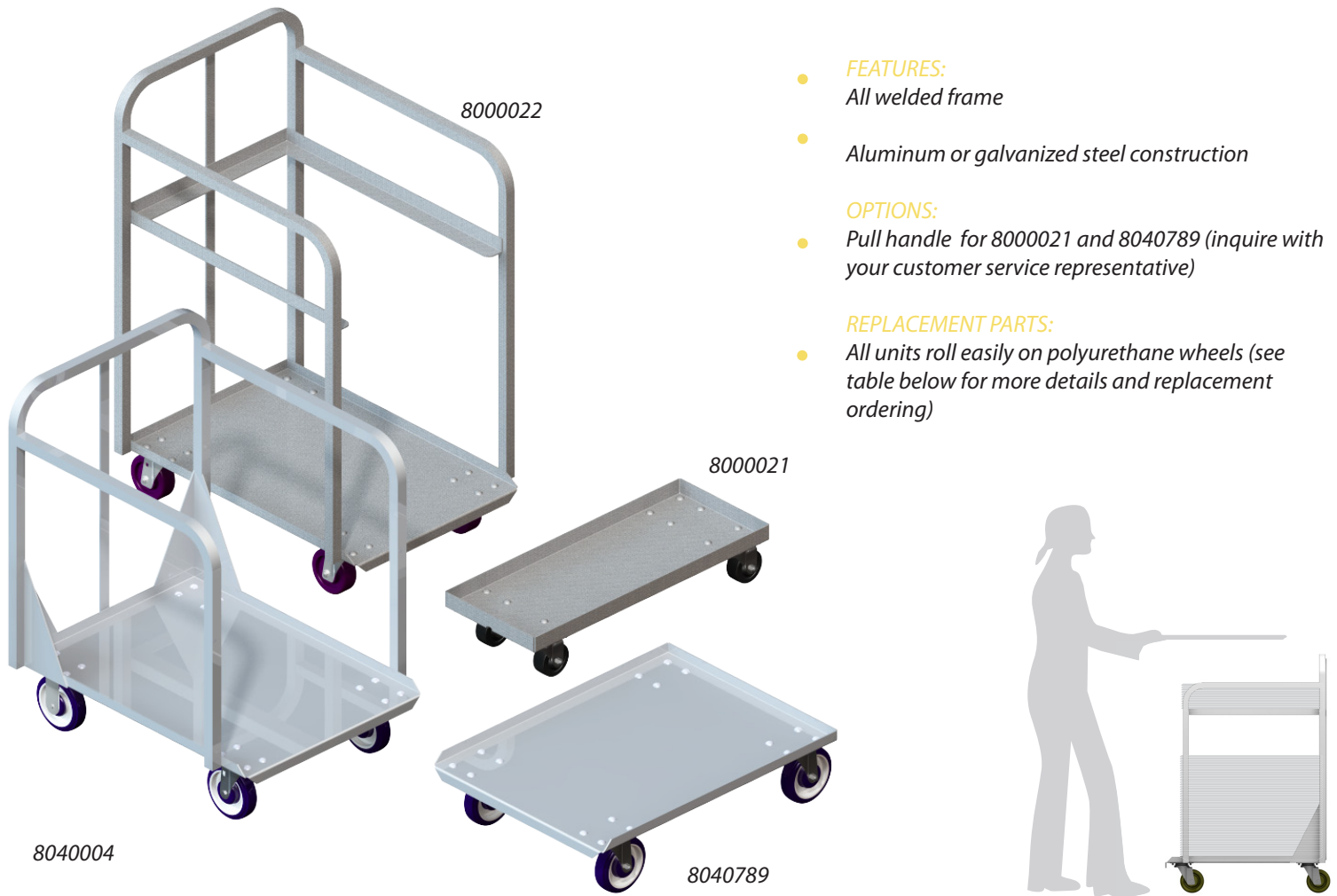


# Pan Tray Storage Carts

These heavy duty bun pan carts are ideal for the transportation and storage of your trays and bread pan sets.



- FEATURES:**
  - All welded frame
  - Aluminum or galvanized steel construction
- OPTIONS:**
  - Pull handle for 8000021 and 8040789 (inquire with your customer service representative)
- REPLACEMENT PARTS:**
  - All units roll easily on polyurethane wheels (see table below for more details and replacement ordering)

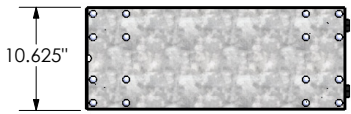


Part #	Material	Wheels	Wheel and Caster Order #	Fastener Order #
8000021	Galvanized Steel	(4) Plate Swivel 3" x 1.25" Polyurethane	B001166	B000061 B001257
8000022	Galvanized Steel	(4) Plate Swivel 4" x 1.25" Polyurethane	B000617	B000061 B001257
8040004	Aluminum	(2) Rigid and (2) Swivel 5" x 1.25" Polyurethane	B000312 B000325	B000062 B001257
8040789	Aluminum	(4) Swivel 5" x 1.25" Polyurethane	B000312	B000543 B001257

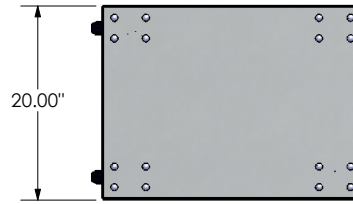




**Bakery**

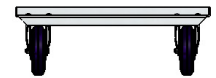
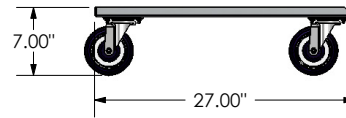
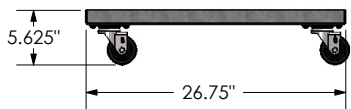


8000021

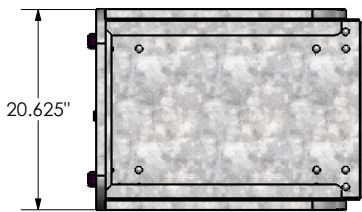


8000021 and 8000022  
 Freight Class: 150  
 NMFC Code: 188560-S4

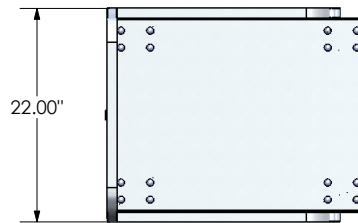
8040004 and 80407889  
 Freight Class: 300  
 NMFC Code: 164390-S2



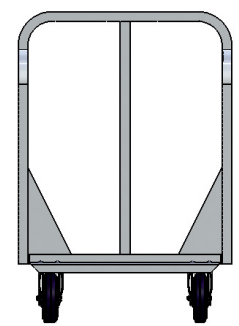
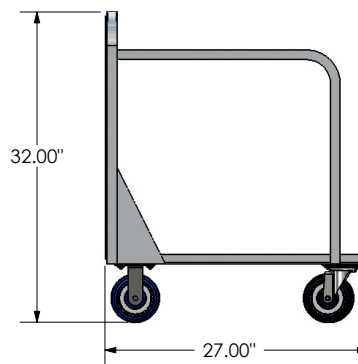
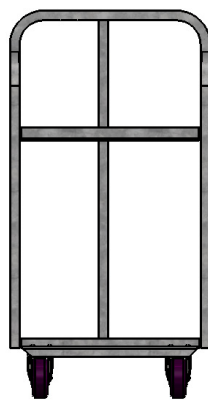
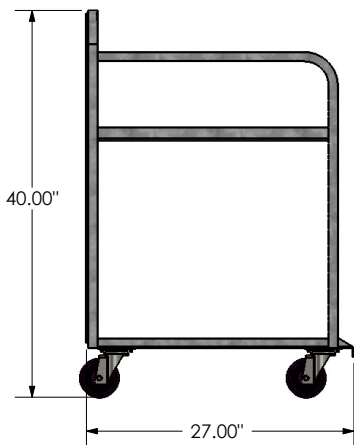
8040789



8000022



8040004



Order #	Model	W	L	H	Capacity	Weight
<b>8000021</b>	BPD-1026, PAN TRAY STORAGE CART	10 5/8"	26 3/4"	5 5/8"	600 lbs.	22 lbs.
<b>8000022</b>	BPD-1826, PAN TRAY STORAGE CART	20 5/8"	27"	40"	850 lbs.	57 lbs.
<b>8040004</b>	AL-BPD-1826, PAN/TRAY STORAGE CART	22"	27"	32"	600 lbs.	25 lbs.
<b>8040789</b>	AL-BPD-2026-WOH, PAN/TRAY STORAGE	20"	27"	7"	600 lbs.	20 lbs.

Can't find exactly what you need? Give us a call and we'll help you with the perfect solution!



**NATIONAL CART CO**

**PH: 800-455-3802**

**www.nationalcart.com**

Revision Date: Mar. 2013