

# Nesting Carts



Custom Colors  
Available

*This high quality, versatile cart can be used both by store personnel and your customers. Customers can use the cart for large items, while placing small purchases in the optional mid utility basket. These carts nest into less than 33% of their normal length, thus freeing up valuable floor space.*



8000047



8000045



Carts Shown Nested

#### FEATURES:

- All welded steel construction
- Gusseted and reinforced in high stress areas
- Nestable for easy storage

#### OPTIONS:

- Mid Utility Basket (MB)
- Zinc plated or powder coated finish for your convenience

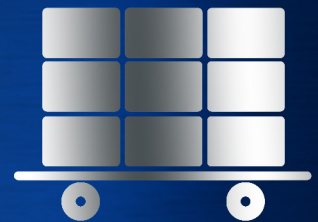
#### REPLACEMENT PARTS:

##### Model #3060

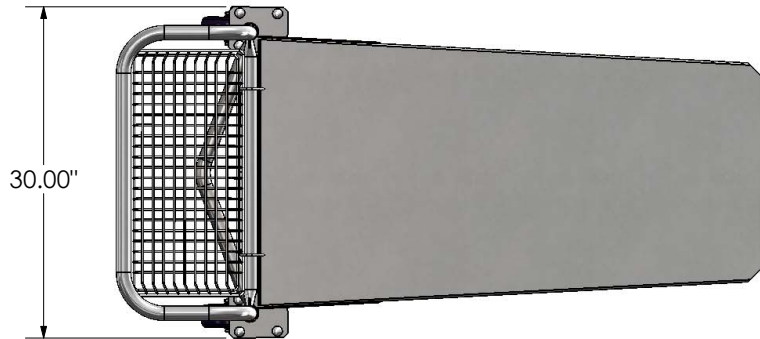
- (2) rear swivel 8" x 2" polyurethane, replacement order #B000541. (2) front rigid 8" x 2" polyurethane, replacement order #B000542.
- Fasteners order #B000503 (bolt) and #B000183 (nut).

##### Model #2448

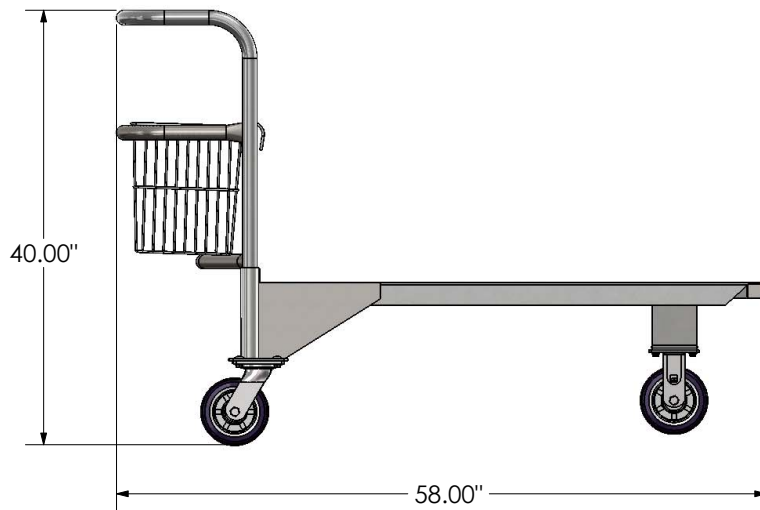
- (2) rear swivel 6" x 2" polyurethane, replacement order #B000507. (2) front rigid 6" x 2" polyurethane, replacement order #B000508.
- Fasteners order #B000060 (bolt) and #B001225 (nut).



**Material Handling**



Freight Class: 100  
 NMFC Code: 188560-S6



8000047



Order #	Model	W	L	H	Cart Capacity	Finish	Color	Accessory	Weight
8000043	2448-NCPC-PU. NESTING CART, BLUE	30"	58"	40"	2000 lbs.	Powder Coated	Blue	-	142 lbs.
8000044	2448-NCZP-PU, NESTING CART	30"	58"	40"	2000 lbs.	Zinc Plated	NA	-	142 lbs.
8000045	3060-NCPC-PU,NESTING CART	36"	70"	40"	2000 lbs.	Powder Coated	Green	-	153 lbs.
8000047	2448-NCZP-PU-MB, NESTING CART W/BSK	30"	58"	40"	2000 lbs.	Zinc Plated	NA	Basket	142 lbs.
8000344	2448-NCPC-PU-MB, NEST CART W/BSK GY	30"	58"	40"	2000 lbs.	Powder Coated	Gray	Basket	142 lbs.
8000048	3060-NCZP-PU-MB NESTING CART W/BSK	36"	70"	40"	2000 lbs.	Zinc Plated	NA	Basket	153 lbs.
8000107	3060-NCPC-PU-MB NESTING CART W/BSK	36"	70"	40"	2000 lbs.	Powder Coated	Green	Basket	153 lbs.

Can't find exactly what you need? Give us a call and we'll help you with the perfect solution!



**NATIONAL CART CO**

**PH: 800-455-3802**

[www.nationalcart.com](http://www.nationalcart.com)  
 Revision Date: Mar. 2013