

# Metal Platform Trucks (Flat Cart)



Custom Colors  
Available

These heavy duty stock trucks won't back down from heavy loads. A variety of sizes are available to handle all of your stocking, storing and transportation needs. From loading dock to sales floor, this cart does it all.

#### FEATURES:

- All welded steel deck with steel chassis frame
- Heavy duty handle is welded in fixed position
- Gusseted and reinforced with pipe socket at the high stress areas
- Bolt on casters

#### OPTIONS:

- Front corner bumpers
- SST-3060-6 is a 6 wheel version with 8" x 2" polyurethane center wheels

#### REPLACEMENT PARTS:

##### 4-Wheel Model

- (2) 6" x 2" polyurethane rigid casters. Replacement order #B000508. (2) 6" x 2" polyurethane swivel casters. Replacement order #B000507.
- Fasteners replacement order #B000696 (bolt)

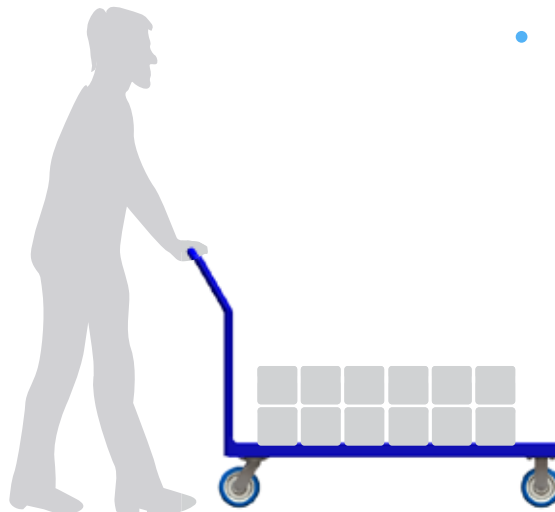
##### 6-Wheel Model

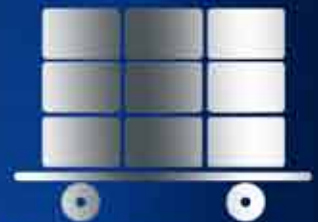
- (2) 8" x 2" polyurethane rigid casters. Replacement order #B000542. (4) 6" x 2" polyurethane swivel casters. Replacement order #B000507.
- Fasteners replacement order #B000696 (bolt) and #B000183 (nut).



8000024

8000026

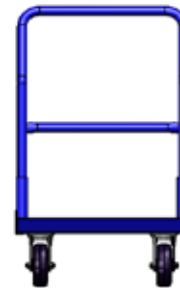
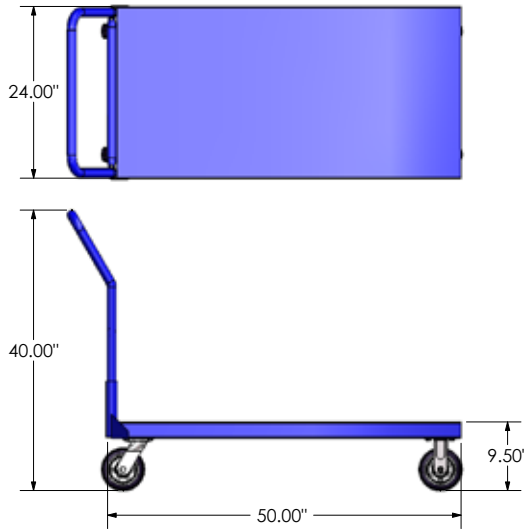




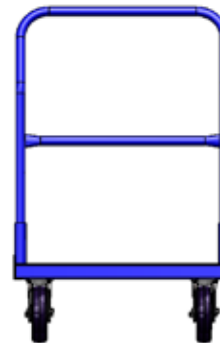
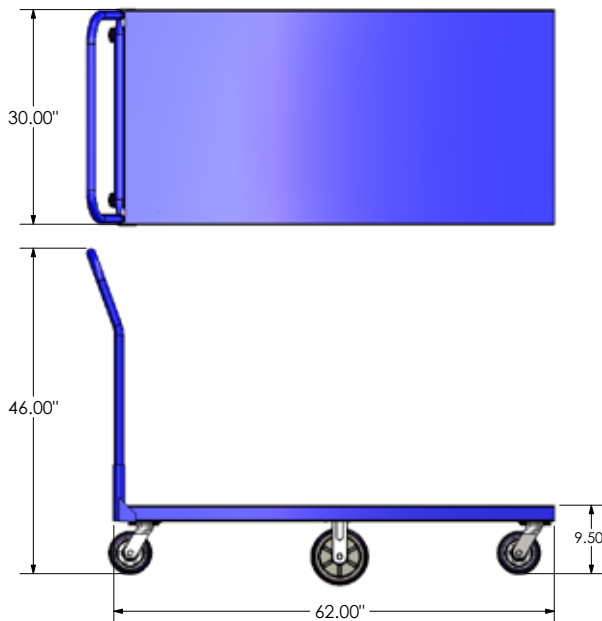
Material Handling

Freight Class: 100  
 NMFC Code: 188560-S6

8000024



8000026



Order #	Model	W	L	H	Cart Capacity	Weight	Bumpers	# of wheels
8000024	SST-2448-P/U, PLATFORM TRUCK, BLUE	24"	50"	40"	2000 lbs.	80 lbs.	No	4
8000450	SST-2448-CB, PLTFRM TRK, BLU W/BMPR	24"	50"	40"	2000 lbs.	80 lbs.	Yes	4
8000025	SST-2460-P/U, PLATFORM TRUCK, BLUE	24"	62"	40"	2000 lbs.	90 lbs.	No	4
8000026	SST-3060-P/U, PLATFORM TRUCK, BLUE	30"	62"	46"	2000 lbs.	120 lbs.	No	6

Can't find exactly what you need? Give us a call and we'll help you with the perfect solution!



NATIONAL CART CO

PH: 800-455-3802

www.nationalcart.com  
 Revision Date: Mar. 2013