

Flat Lumber Cart



Custom Colors
Available

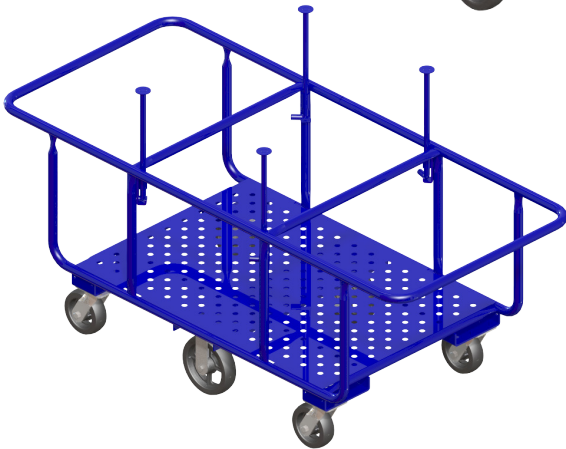
These heavy duty carts are used to handle lumber, plywood and sheet rock. The 6 wheel design allows easy handling and maneuverability when the cart is heavily loaded. Flat Lumber Carts are the perfect height for easy and safe maneuvering of heavy loads. This dynamic cart features side supports that keep lumber or other materials in place.



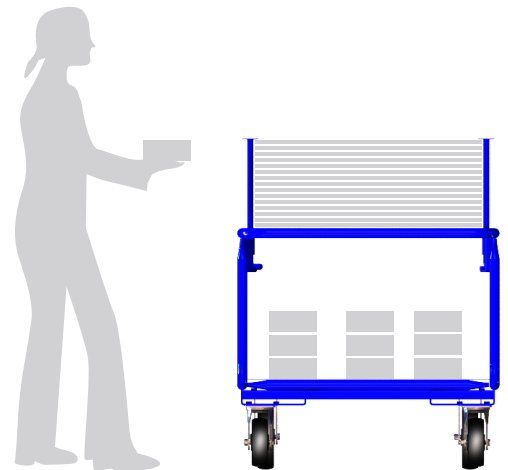
- FEATURES:**
- All welded heavy duty steel tube chassis design
 - Adjustable side supports to secure product
 - 6 wheel tilt design for easy handling with cimir wheels standard
 - Ships fully assembled ready for use

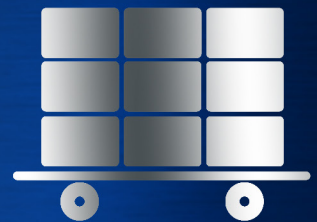
REPLACEMENT PARTS:

- (2) 8" x 2" bolt on rigid cimir center wheels, replacement order #B000656.
- (4) 6" x 2" swivel corner cimir wheels, replacement order #B000653.
- Fasteners replacement order #B001225.



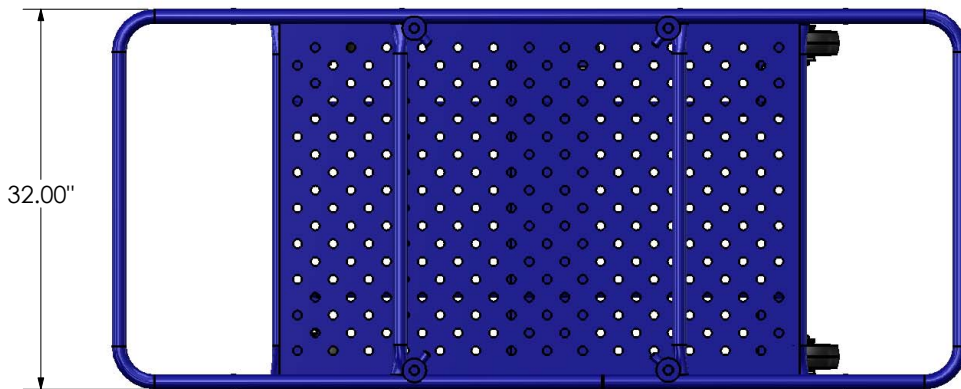
8000228 Shown with and without
side supports engaged



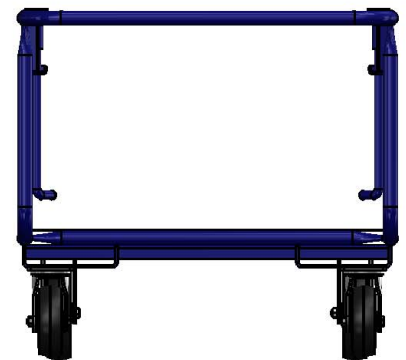
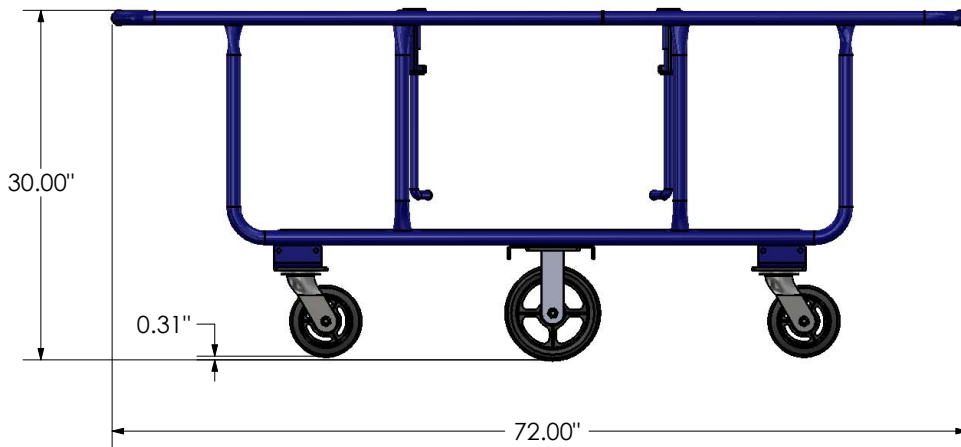


Material Handling

Freight Class: 150
 NMFC Code: 188560-S4



8000228



Order #	Model	W	L	H	Cart Capacity	Weight
8000228	FLC-3272-L, FLAT LUMBER CART	32"	72"	30"	2500 lbs.	140 lbs.

Can't find exactly what you need? Give us a call and we'll help you with the perfect solution!